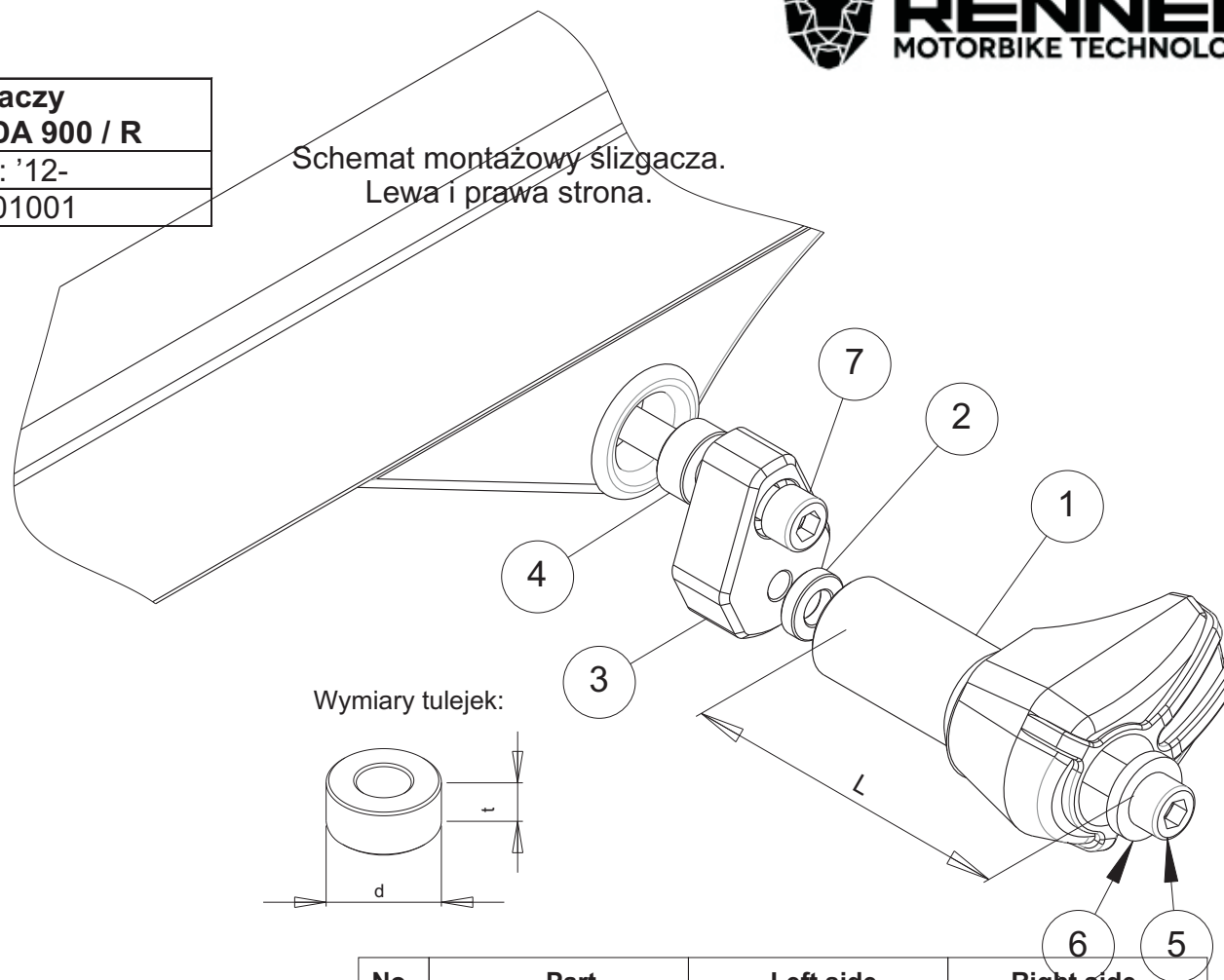


**Zestaw ślizgaczy  
HUSQVARNA NUDA 900 / R**

Rok produkcji: '12-

Nr zestawu: 101001

Schemat montażowy ślizgacza.  
Lewa i prawa strona.



**Assembly instructions**

1. Remove the engine screws indicated with the arrows.
2. Replace the removed screws by the new screws (parts #4) and metal bars (parts #2) according to the attached drawing. Put the metal parts (parts #2) in the right positions according to the drawing.
3. Assemble the sliders and the screws according to the drawing (parts #1, #6, #5).
4. Assemble the screws #5 and the sliders with the metal bars #2.

We suggest to use the threadlocker to make sure that the screws do not get loose.

This product is entirely produced in the European Union. This product is a professional accessory to be used on the race track. Renner LTD takes no responsibility for any damages occurred despite of using protective accessories. For more information go to [www.renner-moto.com](http://www.renner-moto.com)

No	Part	Left side	Right side
1	Slider	L = 85 mm	L = 70 mm
2	Sleeve	d=20 mm, t=5 mm	d=20 mm, t=5 mm
3	Bar		
4	Sleeve	d=25 mm,t=60 mm	D=25 mm,t=75 mm
5	Screw	M10	M10
6	Washer		
7	Main screw	M12, 120 mm	M12, 150 mm