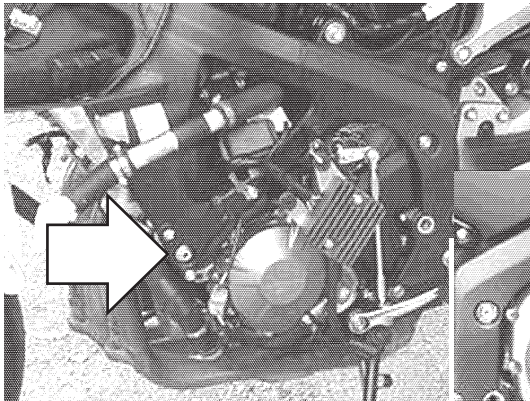
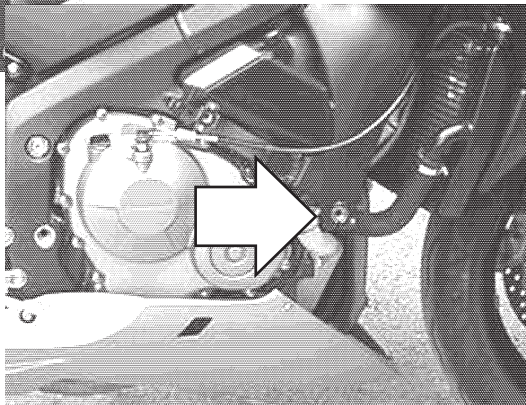


Protective sliders
HONDA CBR 600 RR

 Year of production: '03 - '06
 Product code: 10104


Assembly position / Left side



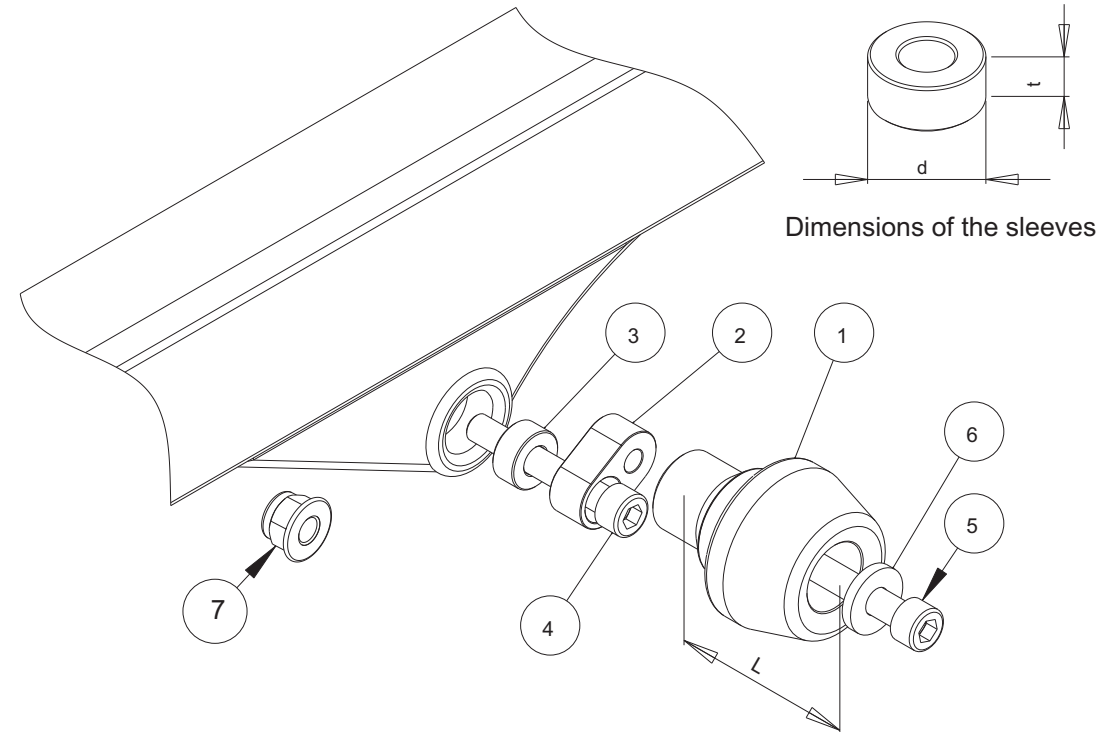
Assembly position / Right side

Assembly instructions

1. Remove the fairings.
2. Remove the screws indicated with the arrows.
3. On the right side: put the aluminium sleeve (part #3) into the hole in the frame instead the screw marked with arrow and the figure „1” on the picture above. The aluminium sleeve (part #3) should replace the cylindrical part of the original screw. Tighten the screw which is marked with the arrow and the figure „2” on the picture above.
- 4 On the left side: replace the removed screws by the new screws (parts #4) and metal parts (parts #2) according to the attached drawing. Put the metal parts (parts #2) in the right position according to the drawing.
5. Mark the positions of the holes on the fairings. The correct positions are opposite the threaded holes in the metal parts #2.
6. Drill the holes in the fairings. We suggest to drill small holes first (eg. 0,20" in diameter). Then check if the holes are in correct positions by putting the fairings on.
7. If the positions of the holes are correct, assemble the fairings.
8. Assemble the sliders, the screws and the washers (parts #1, #6 and #5) according to the drawing. Put them into the second holes in part #2.

We suggest to use the threadlocker to make sure that the screws do not get loose.

This product is entirely produced in the European Union. This product is a professional accessory to be used on the race track. Renner LTD takes no responsibility for any damages occurred despite of using protective accessories. For more information go to www.renner-moto.com

Assembly scheme (both sides)


Dimensions of the sleeves

NO	PART	LEFT SIDE	RIGHT SIDE
1	Slider	L = 55 mm	L = 55 mm
2	Steel bar		
3	Sleeve	d=22 mm, t=25 mm	d=20 mm, t=35 mm
4	Screw	M12, l = 85 mm	M12, l = 100 mm
5	Screw	M10	M10
6	Washer		
7	Nut	NOT IN THIS SET	M12