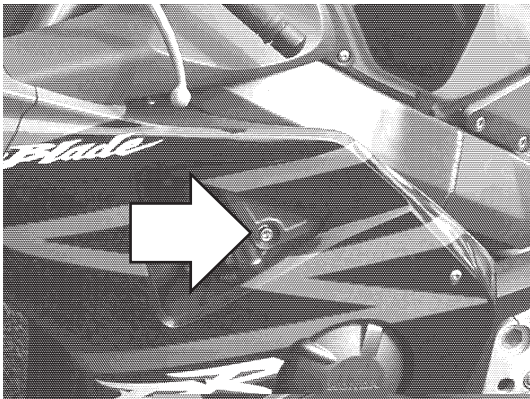
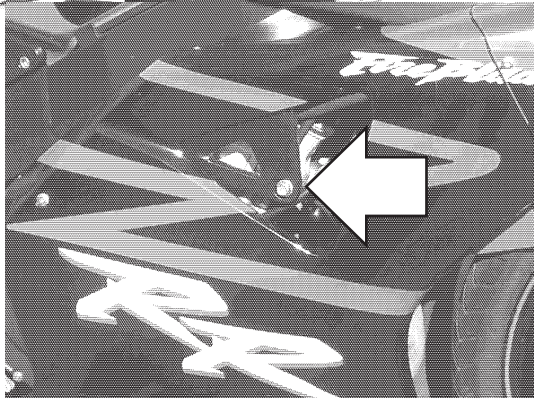


Protective sliders HONDA CBR 900 RR
Year of production: '00 - '03 Product code: 10106

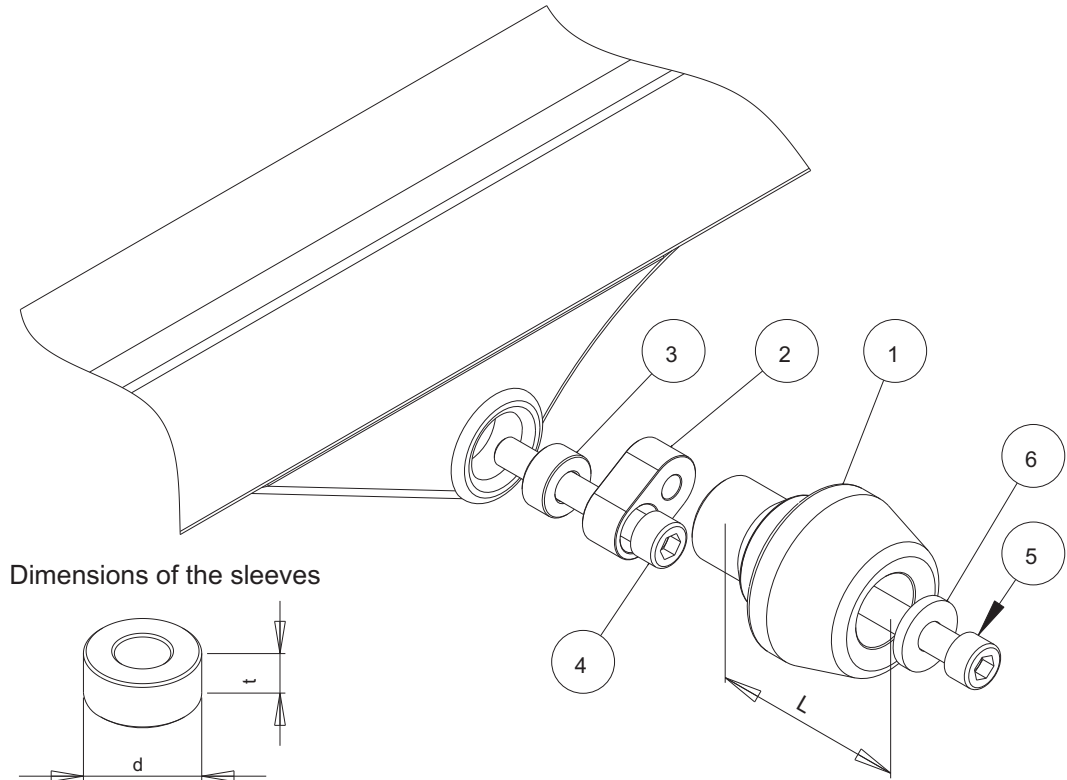


Assembly position (left side)

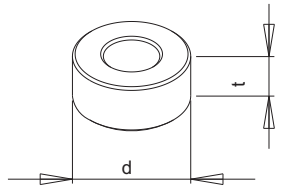


Assembly position (right side)

Assembly scheme (both sides).



Dimensions of the sleeves



Assembly instructions

1. Remove the screws indicated with the arrows.
2. Replace the removed screws by the new screws (parts #4), aluminium sleeves (parts #3) and metal bars (parts #2) according to the attached drawing. Put the metal bars (parts #2) in the right positions according to the drawing.
3. Assemble the sliders and the screws according to the drawing (parts #1, #5, #6).
4. Assemble the screws #5 and the sliders with the metal bars #2.

We suggest to use the special solution to make sure that the screws do not get loose.

This product is entirely produced in the European Union. This product is a professional accessory to be used on the race track. Renner LTD takes no responsibility for any damages occurred despite of using protective accessories. For more information go to www.renner-moto.com

NO	PART	LEFT SIDE	RIGHT SIDE
1	Slider	L = 55 mm	L = 50 mm
2	Steel bar		
3	Sleeve	d=22 mm, t=15 mm	d=22 mm, t=5 mm
4	Screw	M10, l = 70 mm	M10, l = 70 mm
5	Screw	M10	M10
6	Washer		