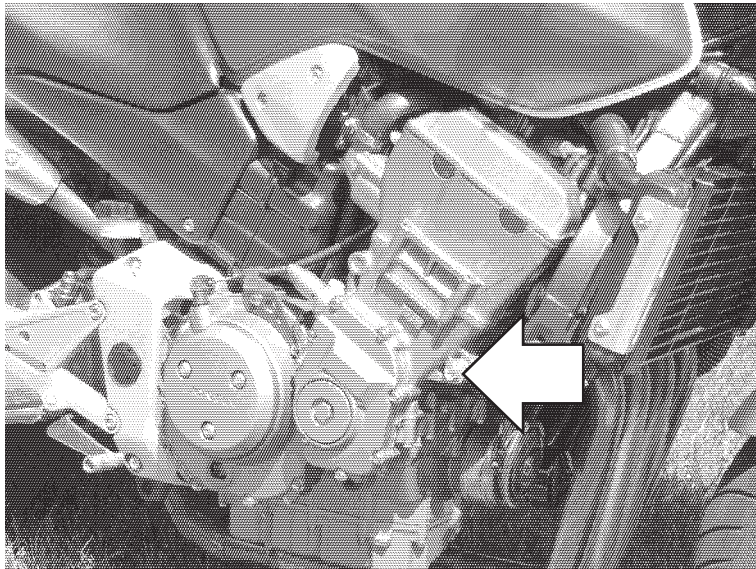
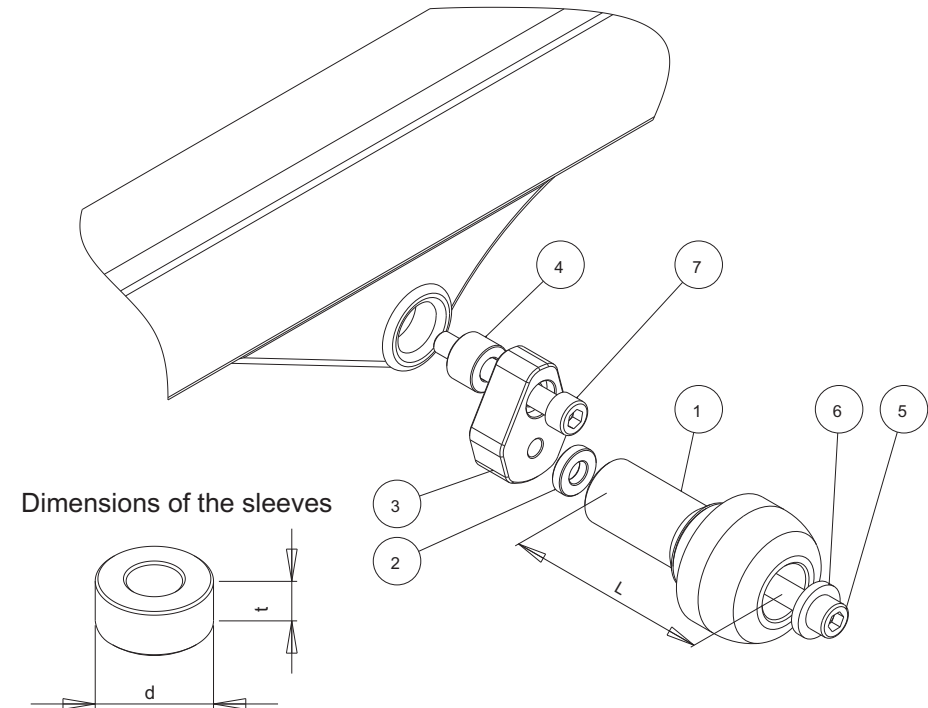


Protective sliders HONDA CB 900 Hornet
Year of production: all Product code: 10107



Assembly position
(both sides)

Assembly scheme (both sides)



Assembly instructions

1. Please remove the screws indicated with the arrows.
2. Please replace the removed screws with the new screws (parts #7), aluminium sleeves (parts #4) and metal bars (parts #3) according to the attached drawing. Please put the metal bars (parts #3) in the right positions according to the drawing.
3. Please assemble the sliders and the screws according to the drawing (parts #1, #2, #5, #6).
4. Please assemble the screws #5 and the sliders with the metal bars #3.

We suggest to use the special solution to make sure that the screws do not get loose.

NO	PART	LEFT SIDE	RIGHT SIDE
1	Slider	L = 90 mm	L = 80 mm
2	Sleeve	d=20 mm, t=5 mm	d=20 mm, t=5 mm
3	Bar		
4	Screw	NOT IN THIS SET	NOT IN THIS SET
5	Nut	M10	M10
6	Washer		
7	Screw	M10, l = 120 mm	M10, l = 120 mm

This product is entirely produced in the European Union. This product is a professional accessory to be used on the race track. Renner LTD takes no responsibility for any damages occurred despite of using protective accessories. For more information go to www.renner-moto.com