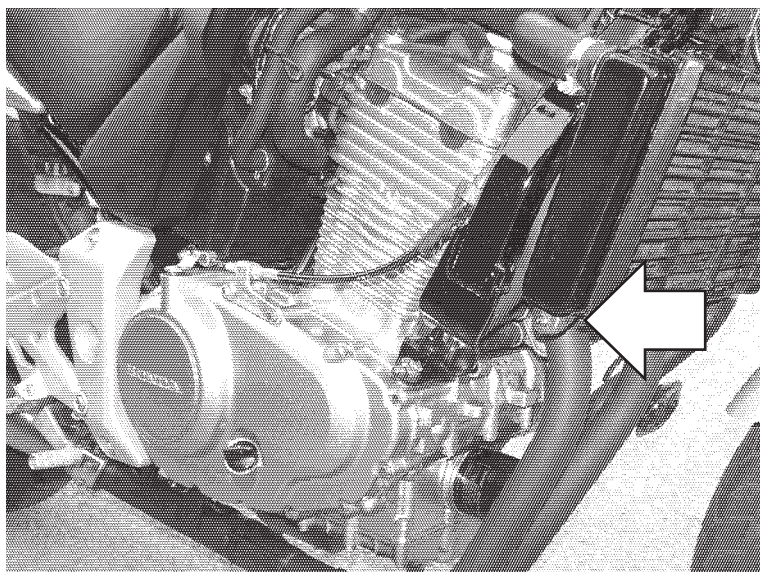
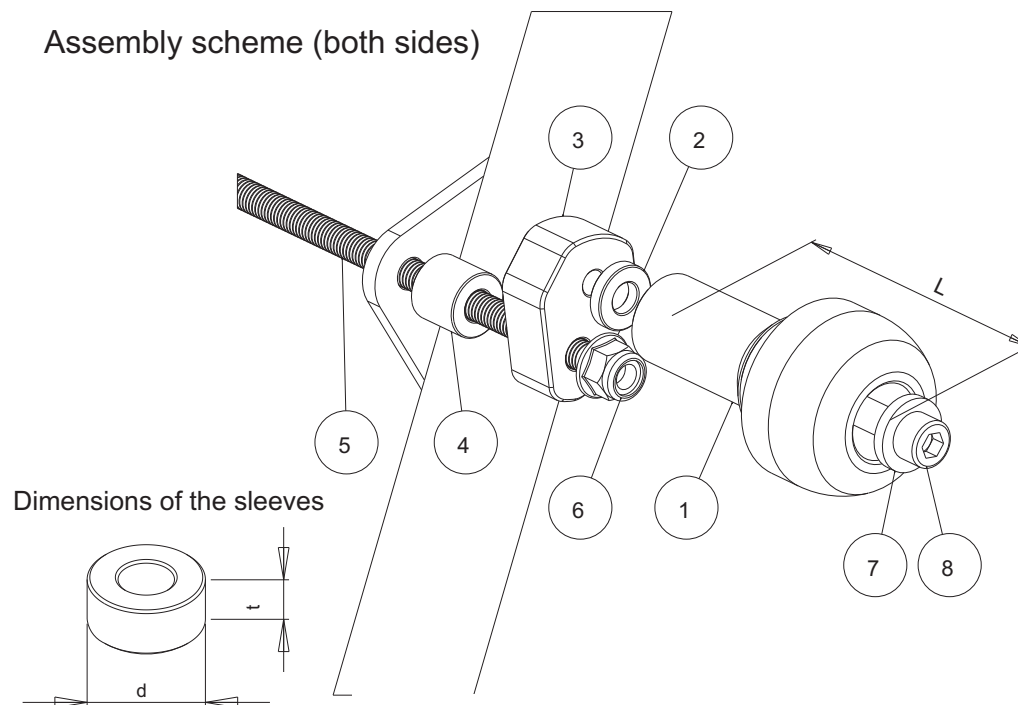


Protective sliders HONDA CBF 500/S
Year of production: all Product code: 10110



Assembly position
(both sides)

Assembly scheme (both sides)



Assembly instructions

1. Remove the screw indicated with the arrow.
2. Replace the removed screw with the new stud bolt (part #5), nuts (part #6), aluminium sleeves (parts #4) and metal bars (parts #3) according to the attached drawing. Put the metal bars (parts #3) in the right positions according to the drawing.
3. Assemble the sliders and the screws according to the drawing (parts #1, #2, #7, #8).
4. Assemble the screws #8 and the sliders with the metal bars #3.

We suggest to use the threadlocker to make sure that the screws do not get loose.

NO	PART	LEFT SIDE	RIGHT SIDE
1	Slider	L = 105 mm	L = 105 mm
2	Sleeve	d = 20mm, t = 5mm	d = 20mm, t = 5mm
3	Bar		
4	Sleeve	NOT IN THIS SET	NOT IN THIS SET
5	Stud	M10	-
6	Nut	M10	M10
7	Washer		
8	Screw	M10	M10

This product is entirely produced in the European Union. This product is a professional accessory to be used on the race track. Renner LTD takes no responsibility for any damages occurred despite of using protective accessories. For more information go to www.renner-moto.com