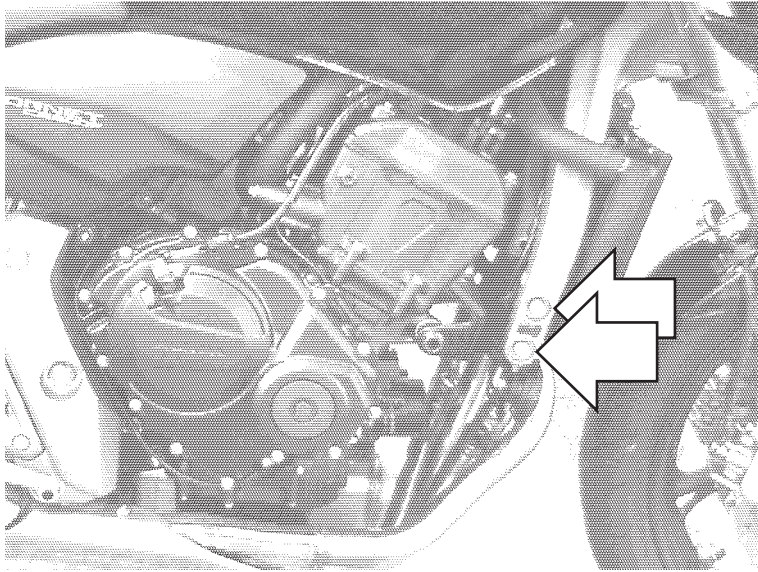


Protective sliders
HONDA CBF 600/CB 600 Hornet

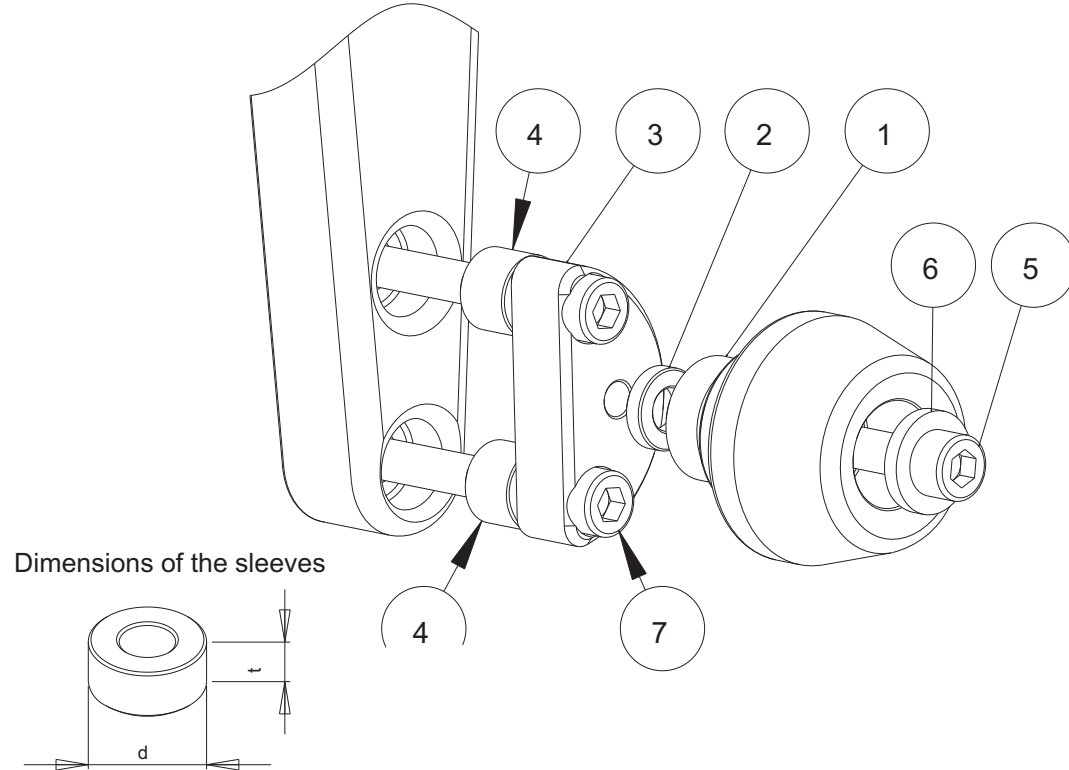
Year of production: '07 -

Product code: 10117



Assembly position
(both sides)

Assembly scheme (both sides)



Assembly instructions

1. Remove the screws indicated with the arrows.
2. Replace the removed screws by the new screws (parts #6), aluminium sleeves (parts #3) and metal bars (parts #2) according to the attached drawing. Put the metal bars (parts #2) in the right positions according to the drawing.
3. Assemble the sliders and the screws according to the drawing (parts #1, #4, #5).
4. Assemble the screws #4 and the sliders with the metal bars #2.

We suggest to use the threadlocker to make sure that the screws do not get loose.

This product is entirely produced in the European Union. This product is a professional accessory to be used on the race track. Renner LTD takes no responsibility for any damages occurred despite of using protective accessories. For more information go to www.renner-moto.com

NO	PART	LEFT SIDE	RIGHT SIDE
1	Slider	L = 65 mm	L = 65 mm
2	Sleeve	d=20 mm, t=5 mm	d=20 mm, t=5 mm
3	Bar		
4	Sleeve	d=20 mm, t=15 mm	d=20 mm, t=15 mm
5	Screw	M10	M10
6	Washer		
7	Screw	M10, l = 70 mm	M10, l = 70 mm