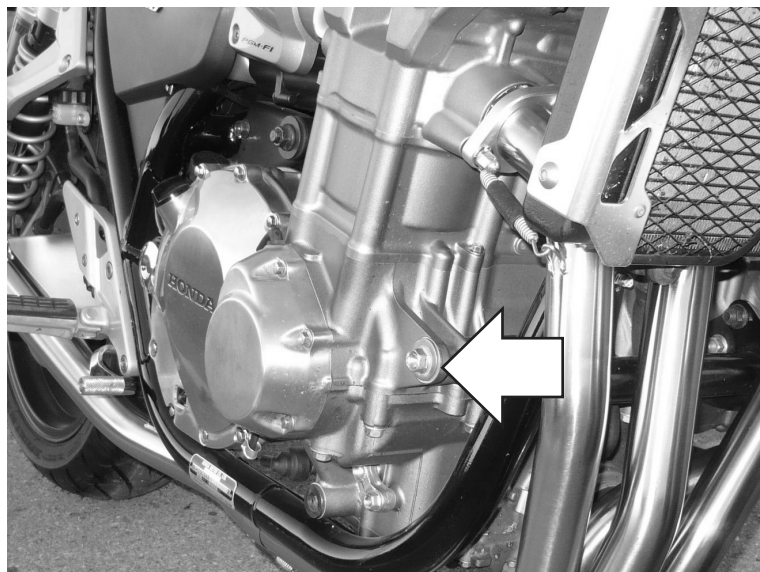


**Protective sliders  
HONDA CB 1300**

Year of production: all  
Product code: 10124



Assembly position  
(both sides)

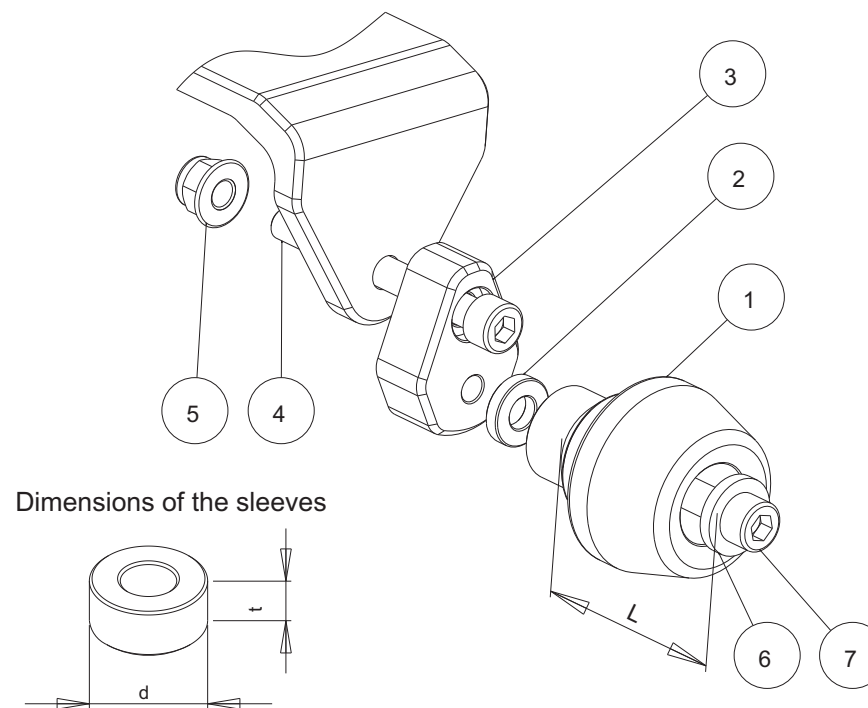
**Assembly instructions**

1. Remove the screws indicated with the arrows.
2. Replace the removed screws by the new screws (parts #4) and metal bars (parts #3) according to the attached drawing. Put the metal parts (parts #3) in the right positions according to the drawing.
3. Assemble the sliders and the screws according to the drawing (parts #1, #2, #6, #7).
4. Assemble the screws #7 and the sliders with the metal bars #3.

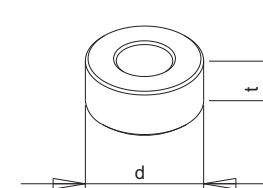
We suggest to use the threadlocker to make sure that the screws do not get loose.

This product is entirely produced in the European Union. This product is a professional accessory to be used on the race track. Renner LTD takes no responsibility for any damages occurred despite of using protective accessories. For more information go to [www.renner-moto.com](http://www.renner-moto.com)

Assembly scheme (both sides)



Dimensions of the sleeves



No	Part	Left side	Right side
1	Slider	L = 90 mm	L = 75 mm
2	Sleeve	d=20 mm, t=5 mm	d=20 mm, t=5 mm
3	Metal bar		
4	Main screw	M10, d $\neq$ 140 mm	M10, d $\neq$ 140 mm
5	Nut	M10	M10
6	Washer		
7	Screw	M10	M10