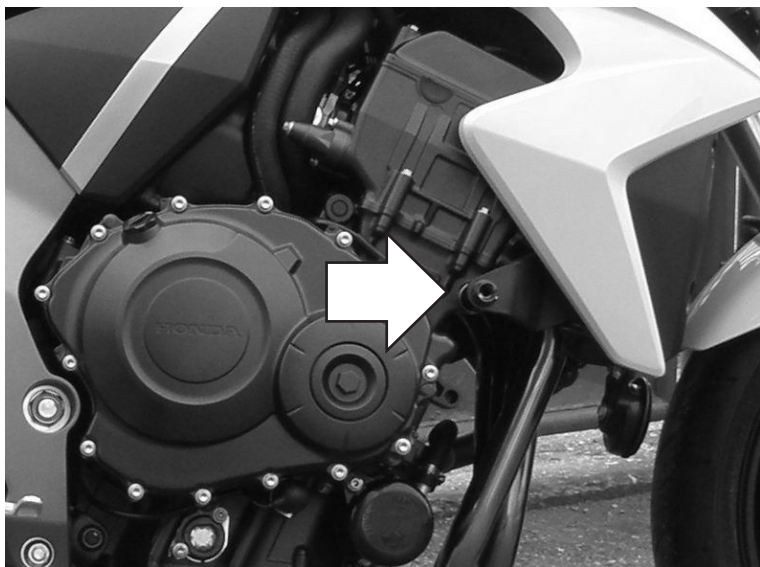


Protective sliders HONDA CB 1000 R
Year of production: '09- Product code: 10125



Assembly position
(both sides)

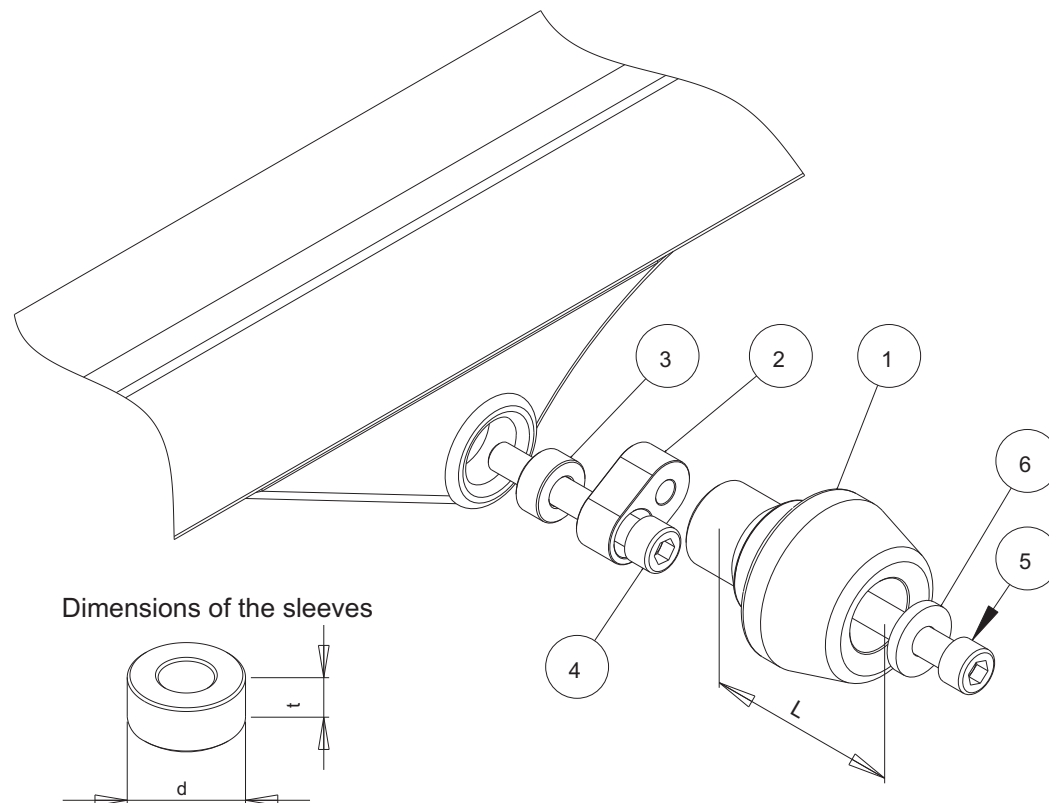
Assembly instructions

1. Remove the screws indicated with the arrows.
2. Replace the removed screws by the new screws (parts #4) and metal bars (parts #3) according to the attached drawing. Put the metal parts (parts #3) in the right positions according to the drawing.
3. Assemble the sliders and the screws according to the drawing (parts #1, #2, #6, #7).
4. Assemble the screws #7 and the sliders with the metal bars #3.

We suggest to use the threadlocker to make sure that the screws do not get loose.

This product is entirely produced in the European Union. This product is a professional accessory to be used on the race track. Renner LTD takes no responsibility for any damages occurred despite of using protective accessories. For more information go to www.renner-moto.com

Assembly scheme (both sides)



No	Part	Left side	Right Side
1	Slider	L = 55 mm	L = 55 mm
2	Metal bar		
3	Sleeve	d =22mm, t=5mm	d =22mm, t=5mm
4	Main screw	M12	M12
5	Screw	M10	M10
6	Washer		