

Protective sliders (crash pads)
HONDA CB 1100
Year of production: '13-
Product code: 10126



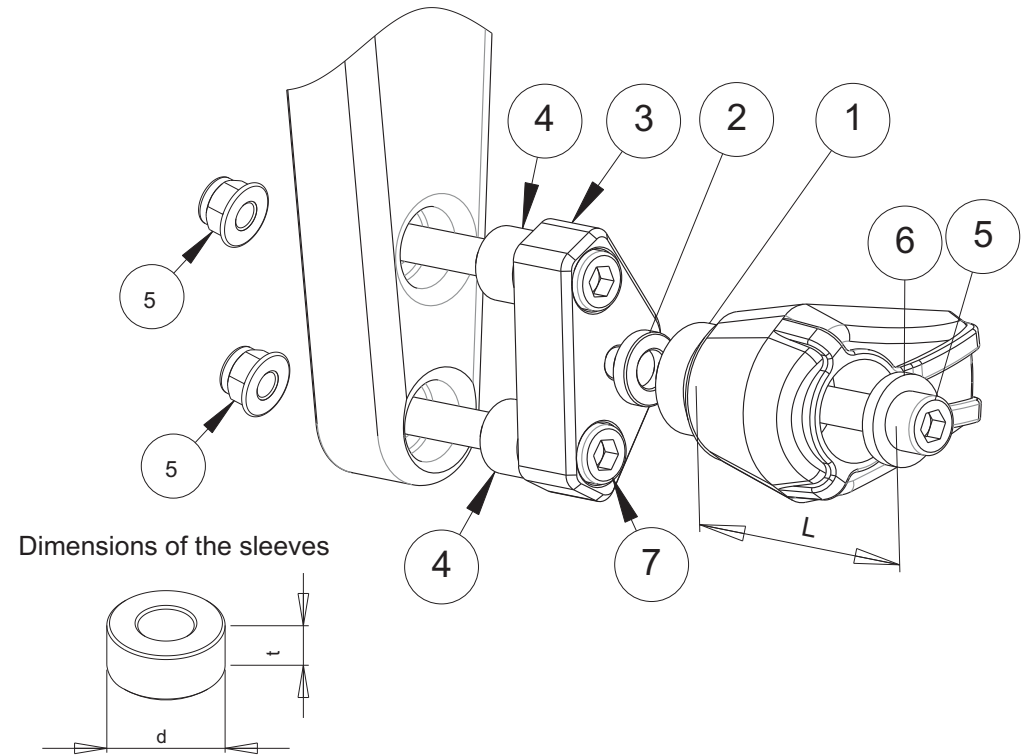
Assembly position
(both sides)

Assembly instructions

1. Remove the screws indicated with the arrows.
2. Replace the removed screws by the new screws (parts #4) and metal bars (parts #3) according to the attached drawing. Put the metal parts (parts #3) in the right positions according to the drawing.
3. Assemble the sliders and the screws according to the drawing (parts #1, #2, #6, #7).
4. Assemble the screws #7 and the sliders with the metal bars #3.

We suggest to use the threadlocker to make sure that the screws do not get loose.

This product is entirely produced in the European Union. This product is a professional accessory to be used on the race track. Renner LTD takes no responsibility for any damages occurred despite of using protective accessories. For more information go to www.renner-moto.com



No	Part	Left Side	Right Side
1	Slider	L = 105 mm	L = 85 mm
2	Sleeve	d=20 mm, t=5 mm	d=20 mm, t=5 mm
3	Bar		
4	Sleeve	d=20 mm, t=10 mm	d=20 mm, t=10 mm
5	Scrc	M10	M10
6	Washer		
7	Screw 2	M10, 120 mm	M10, 120 mm