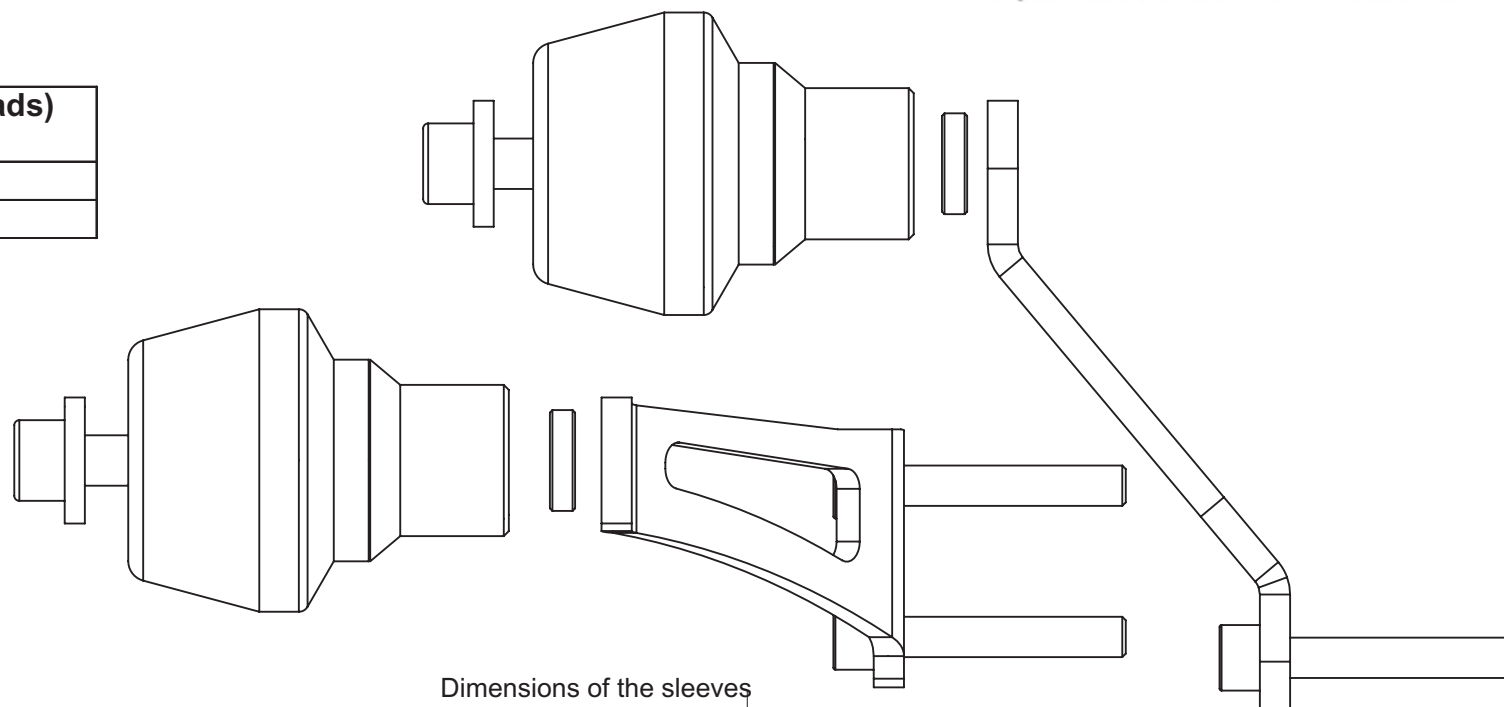
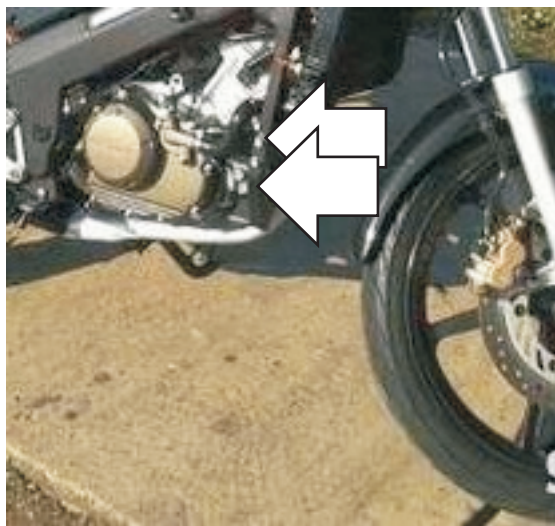
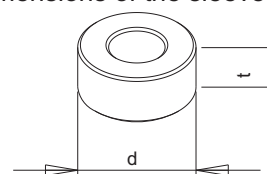


<b>Protective Sliders (Crash Pads)</b> <b>HONDA CBR 125 R</b>
Year: all
Product Code: 10131



Dimensions of the sleeves



Assembly position  
(both sides)

#### Assembly instructions

1. Remove the screws indicated with the arrows.
2. Replace the removed screws by the new screws (parts #4) and metal bars (parts #3) according to the attached drawing. Put the metal parts (parts #3) in the right positions according to the drawing.
3. Assemble the sliders and the screws according to the drawing (parts #1, #2, #6, #7).
4. Assemble the screws #7 and the sliders with the metal bars #3.

We suggest to use the threadlocker to make sure that the screws do not get loose.

No	PART	LEFT SIDE	RIGHT SIDE
1	SLIDER	L = 75 mm	L = 75 mm
2	SLEEVE	20x5	20x5
3	STEEL BAR		
4	SLEEVE		d=22 mm, t=15 mm
5	BOLT	M10	M10
6	WASHER		
7	MAIN BOLTS	M8x50 mm	M8x50 mm

This product is entirely produced in the European Union. This product is a professional accessory to be used on the race track. Renner LTD takes no responsibility for any damages occurred despite of using protective accessories. For more information go to [www.renner-moto.com](http://www.renner-moto.com)