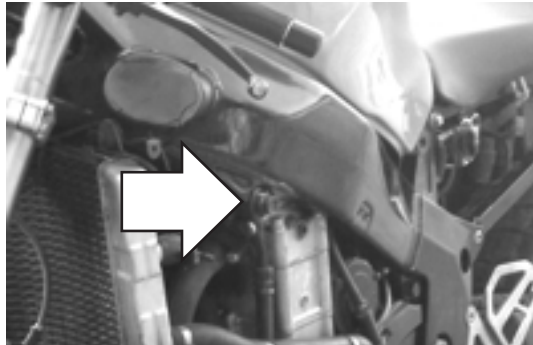
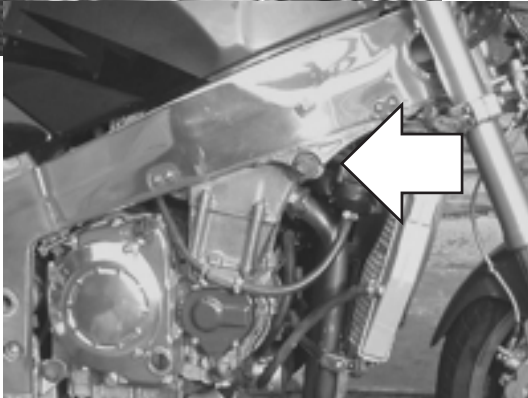


**Protective sliders**  
**KAWASAKI ZXR 750**

Year of production: all  
 Product code: 10204



Assembly position (left side)



Assembly position (right side)

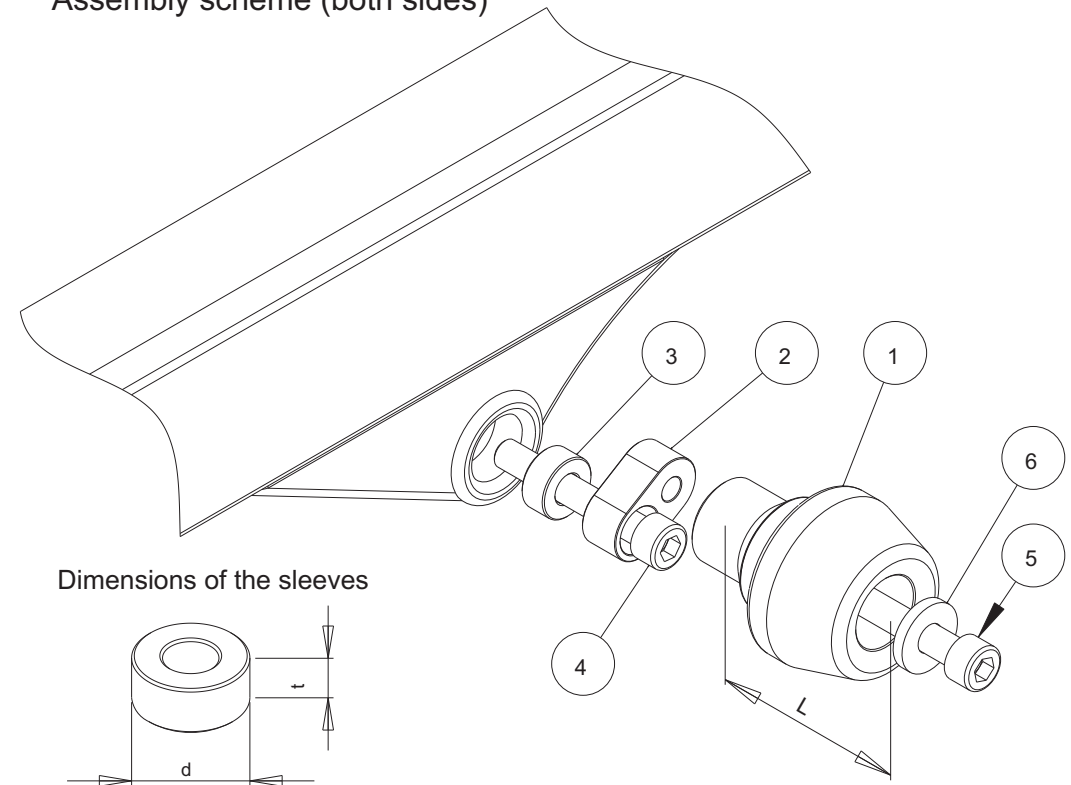
**Assembly instructions**

1. Remove the screws indicated by the arrows.
2. Replace the removed screws by the new screws (parts #4) and metal bars (parts #2) according to the attached drawing. Put the metal bars (parts #2) in the right positions according to the drawing.
3. Assemble the sliders and the screws according to the drawing (parts #1, #5, #6).
4. Assemble the screws #5 and the sliders with the metal bars #2.

We suggest to use the threadlocker to make sure that the screws do not get loose.

This product is entirely produced in the European Union. This product is a professional accessory to be used on the race track. Renner LTD takes no responsibility for any damages occurred despite of using protective accessories. For more information go to [www.renner-moto.com](http://www.renner-moto.com)

**Assembly scheme (both sides)**



Dimensions of the sleeves

NO	PART	LEFT SIDE	RIGHT SIDE
1	Slider	L = 75 mm	L = 75 mm
2	Steel bar		
3	Sleeve	NOT IN THIS SET	NOT IN THIS SET
4	Screw	M10, l = 90 mm	M10, l = 90 mm
5	Screw	M10	M10
6	Washer		