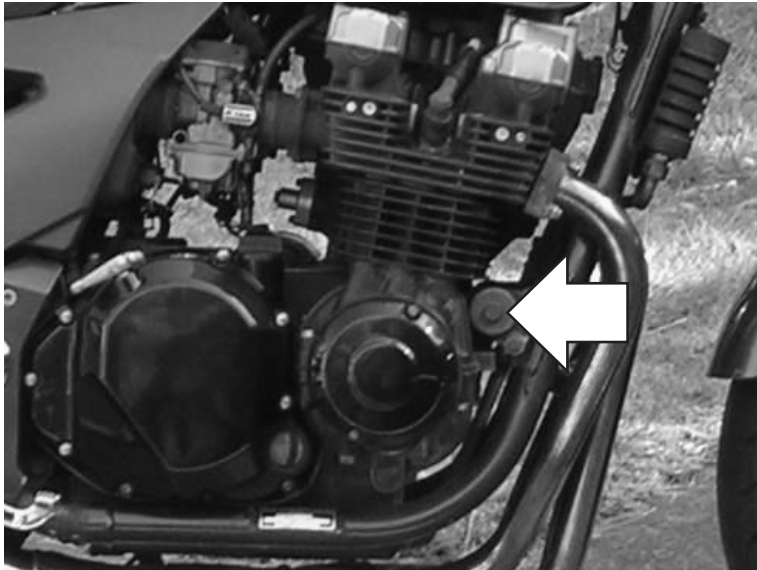
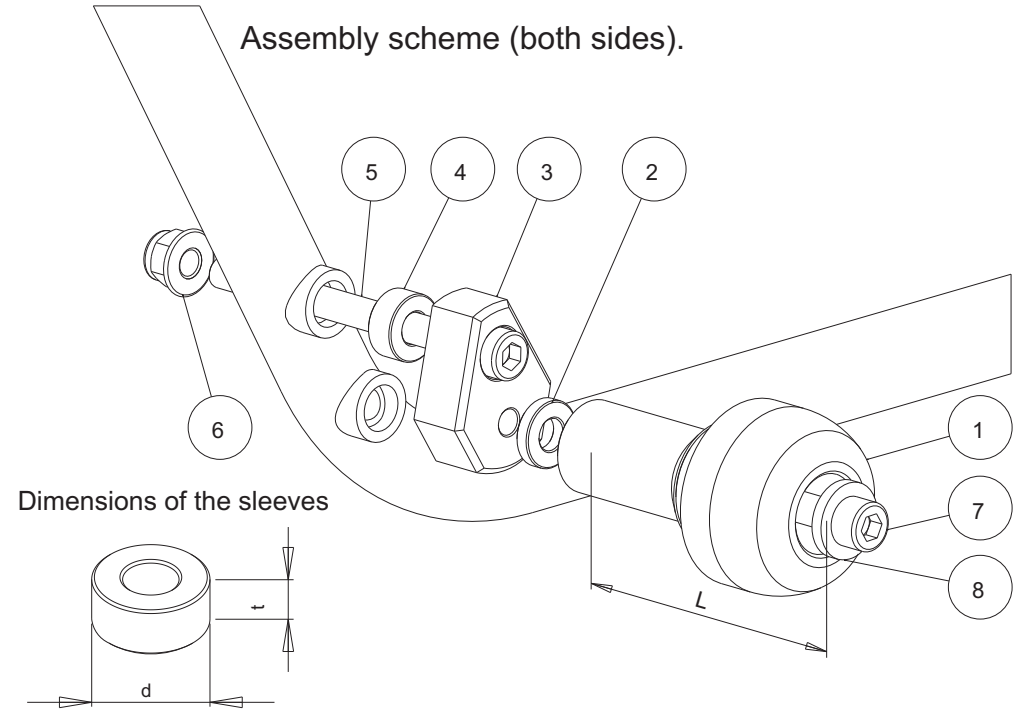


<p>Protective sliders KAWASAKI ZR 7 ZR 7S</p>
<p>Year of production: all Product code: 10207</p>



Assembly position
(both sides)



Assembly instructions

1. Remove the screws indicated with the arrows.
2. Replace the removed screws with the new screws (parts #5), nuts (parts #6) and metal bars (parts #3) according to the attached drawing. Put the metal bars (parts #3) in the right positions according to the drawing.
3. Assemble the sliders and the screws according to the drawing (parts #1, #2, #7, #8).
4. Assemble the screws #7 and the sliders with the metal bars #3.

We suggest to use the threadlocker to make sure that the screws do not get loose.

NO	PART	LEFT SIDE	RIGHT SIDE
1	Slider	L = 105 mm	L = 105 mm
2	Sleeve	d =20mm, t=5mm	d =20mm, t=5mm
3	Bar		
4	Sleeve	NOT IN THIS SET	NOT IN THIS SET
5	Screw	M10, l = 140 mm	M10, l = 140 mm
6	Nut	M10	M10
7	Screw	M10	M10
8	Washer		

This product is entirely produced in the European Union. This product is a professional accessory to be used on the race track. Renner LTD takes no responsibility for any damages occurred despite of using protective accessories. For more information go to www.renner-moto.com