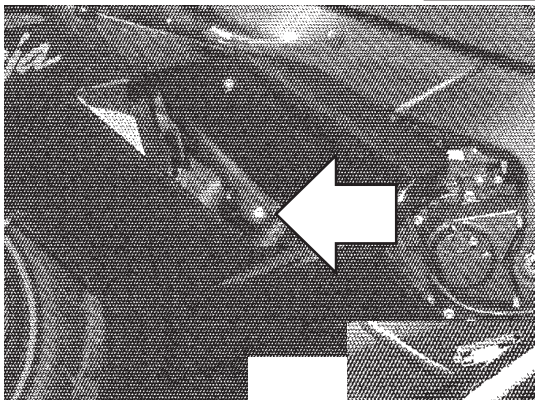
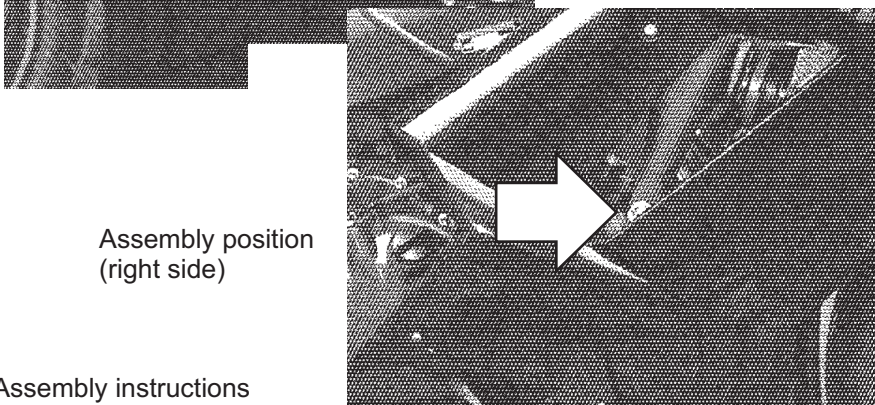


Zestaw ślizgaczy
KAWASAKI ZX 6R/RR
 Rok produkcji: '07 - '08
 Nr katalogowy zestawu: 10211



Assembly position (left side)



Assembly position (right side)

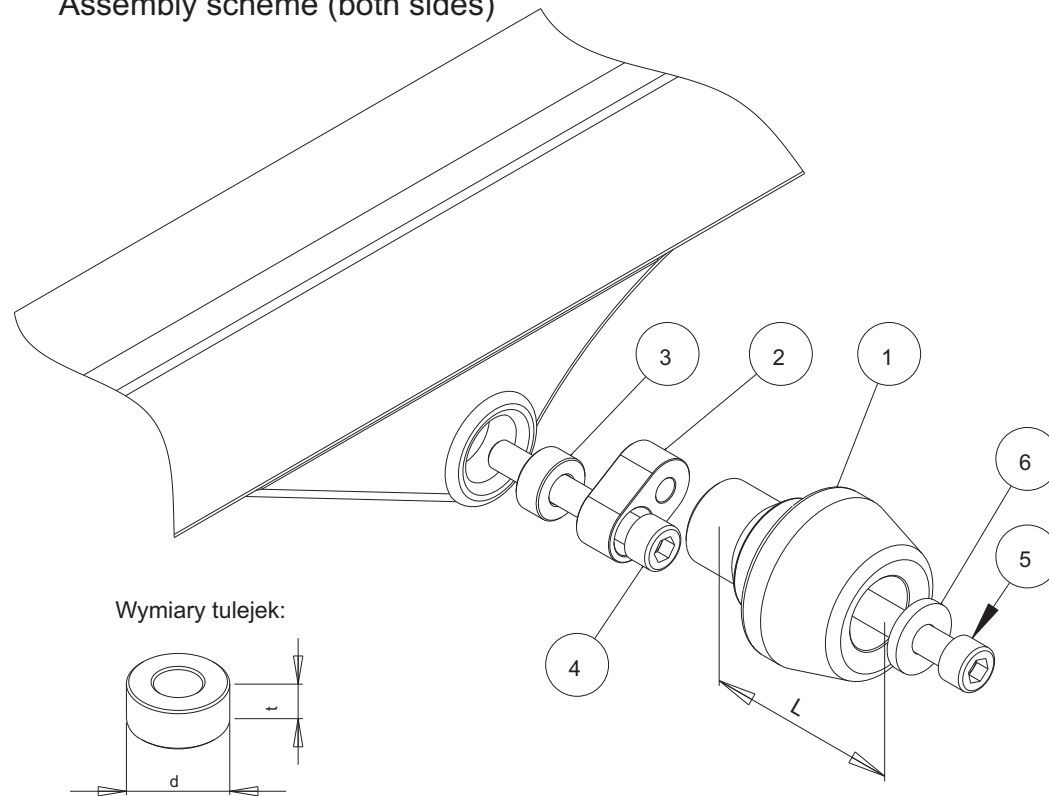
Assembly instructions

1. Remove the screws indicated with the arrows.
2. Replace the removed screws with the new screws (part #4), aluminium sleeves (part #3) and metal bars (parts #2) according to the attached drawing. Put the metal bars (parts #2) in the right positions according to the drawing.
3. Assemble the sliders and the screws according to the drawing (parts #1, #5, #6).
4. Assemble the screws #5 and the sliders with the metal bars #2.

We suggest to use the threadlocker to make sure that the screws do not get loose.

This product is entirely produced in the European Union. This product is a professional accessory to be used on the race track. Renner LTD takes no responsibility for any damages occurred despite of using protective accessories. For more information go to www.renner-moto.com

Assembly scheme (both sides)



NO	PART	LEFT SIDE	RIGHT SIDE
1	Slider	L = 100 mm	L = 85 mm
2	Steel bar		
	Sleeve	d =20mm, t=15mm	NOT IN THIS SET
4	Screw	M10, l = 60 mm	M10, i = 70 mm
5	Screw	M10	M10
6	Washer		