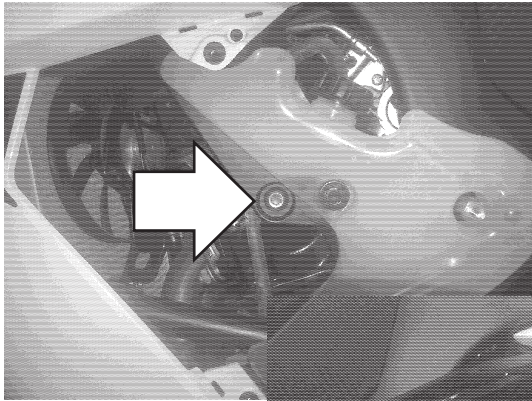
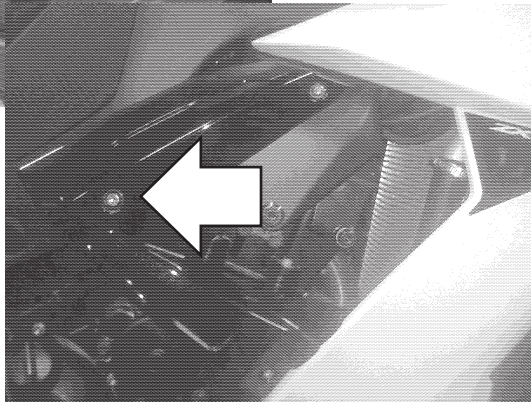


Protective sliders
KAWASAKI ZX10 R
 Year of production: '08-'09
 Product code: 10213



Assembly position
(left side)



Assembly position
(right side)

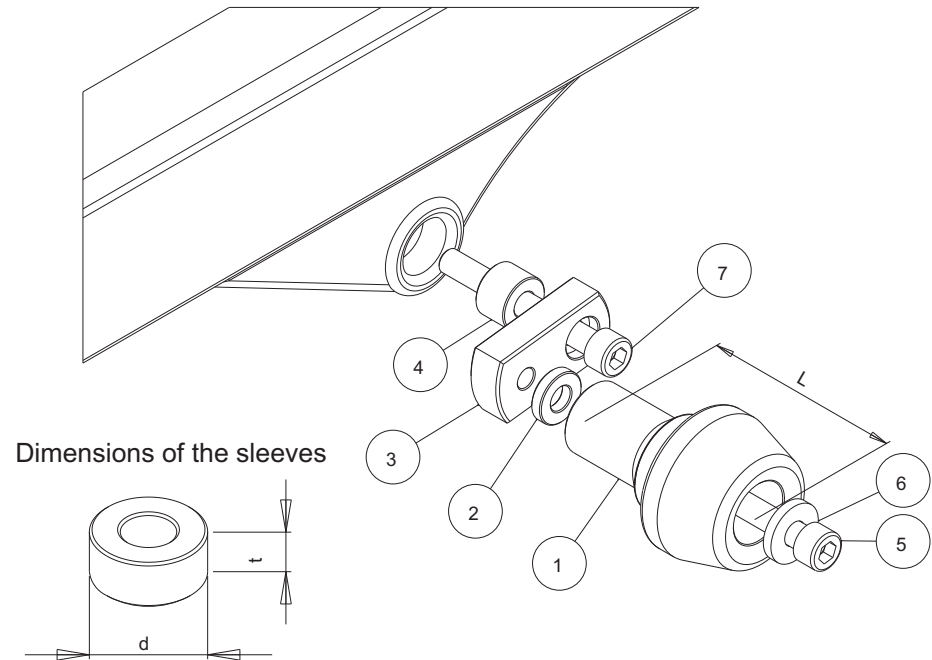
Assembly instructions

1. Remove the screws indicated with the arrows.
2. It is necessary to drill a rectangular hole in the fairing on the left side. The metal bar is to be put across this hole.
3. Replace the removed screws by the new screws (parts #4) and metal bars (parts #3) according to the attached drawing. Put the metal parts (parts #3) in the right positions according to the drawing.
4. Assemble the sliders and the screws according to the drawing (parts #1, #2, #5, #6).
5. Assemble the screws #5 and the sliders with the metal bars #3.

We suggest to use the threadlocker to make sure that the screws do not get loose.

This product is entirely produced in the European Union. This product is a professional accessory to be used on the race track. Renner LTD takes no responsibility for any damages occurred despite of using protective accessories. For more information go to www.renner-moto.com

Assembly scheme (both sides)



No	Part	Left side	Right side
1	Slider	L = 65 mm	L = 55 mm
2	Sleeve	d=20 mm, t=5	X
3	Metal bar	Long	Short
4	Sleeve	d=22 mm, t=10 mm	d=22 mm, t=5 mm
5	Screw	M10	M10
6	Washer		
7	Main screw	M10, d _{f.} = 55	M10, d _{f.} = 45