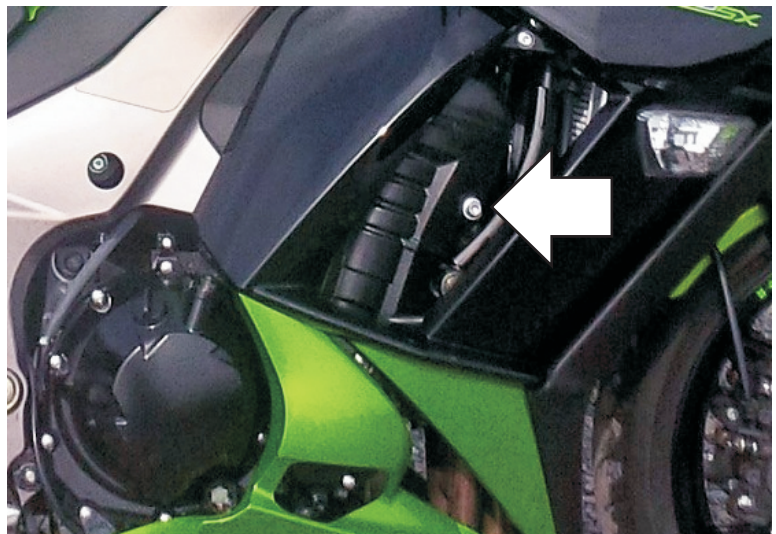
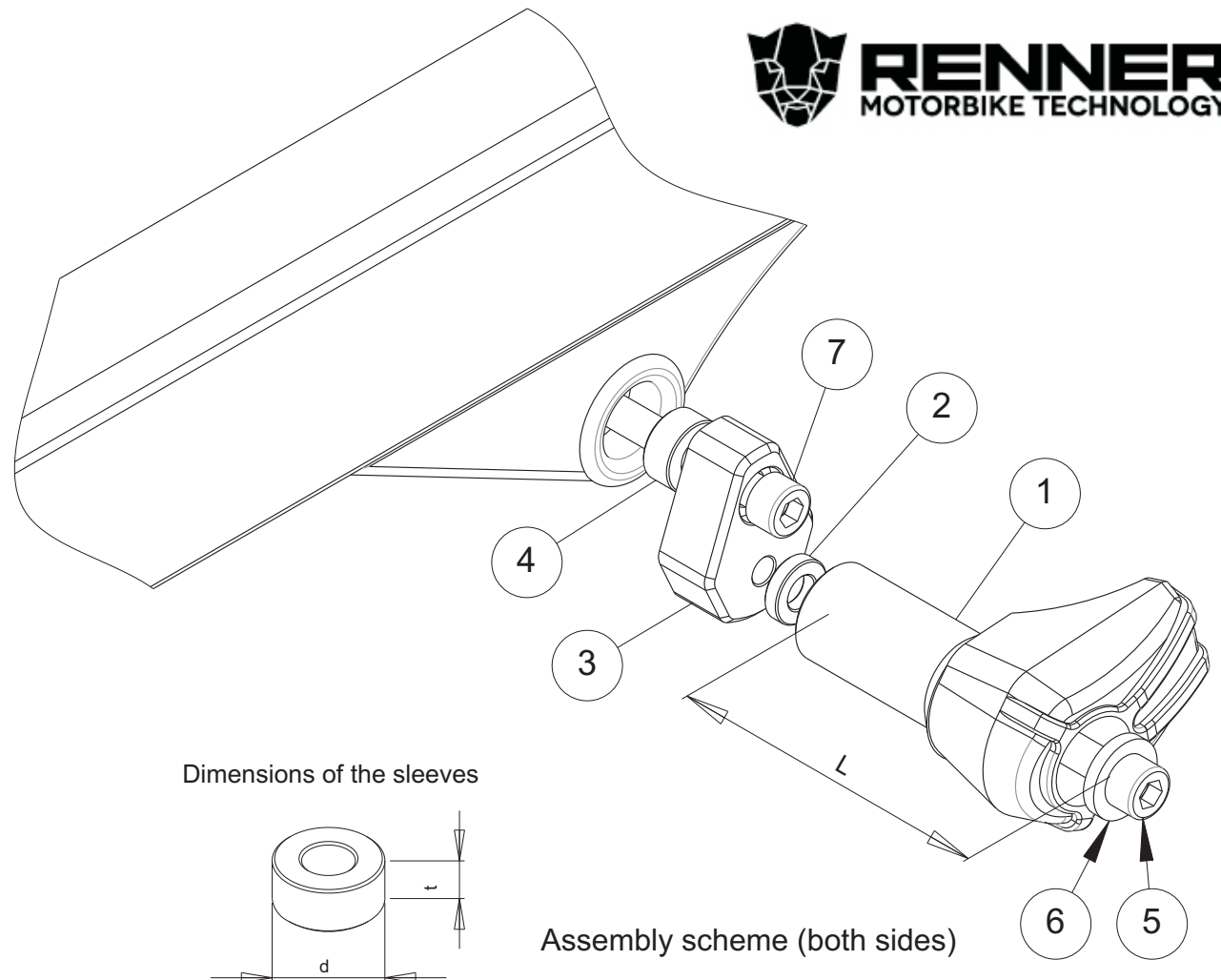


Protective Sliders (Crash Pads)
KAWASAKI Z 100 SX
 Year of production: '11-
 Product Code: 10224



Assembly position
(right side)



Dimensions of the sleeves

Assembly scheme (both sides)

Assembly instructions

1. Remove the screws indicated with the arrows.
2. Replace the removed screws with the new screws (part #7), aluminium sleeves (part #4) and metal bars (parts #3) according to the attached drawing. Put the metal bars (parts #3) in the right positions according to the drawing.
3. Assemble the sliders and the screws according to the drawing (parts #1, #2, #5, #6).
4. Assemble the screws #5 and the sliders with the metal bars #3.

We suggest to use the threadlocker to make sure that the screws do not get loose.

This product is entirely produced in the European Union. This product is a professional accessory to be used on the race track. Renner LTD takes no responsibility for any damages occurred despite of using protective accessories. For more information go to www.renner-moto.com

No	Part	Left Side	Right Side
1	Slider	L = 85 mm	L = 75 mm
2	Sleeve	d=20 mm, t=5 mm	d=20 mm, t=5 mm
3	Bar		
4	Sleeve	d=22 mm, t=10 mm	d=22 mm, t=20 mm
5	Screw	M10	M10
6	Washer		
7	Main Screw	M10, 95 mm	M10, 115 mm