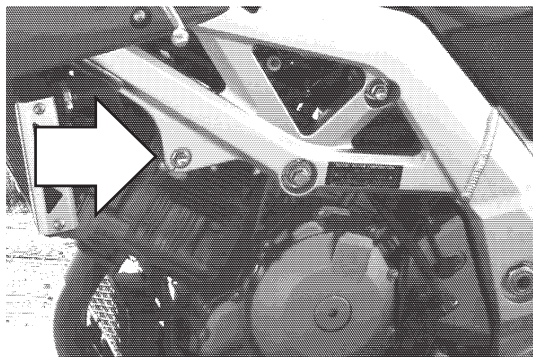
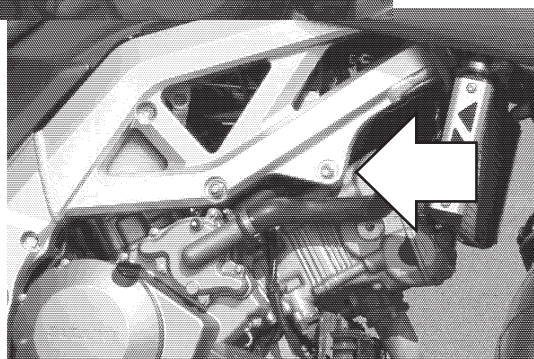


**Protective sliders  
SUZUKI SV 1000 / SV 1000 S**

Year of production: all  
Product code: 10309



Assembly position  
(left side)



Assembly position  
(right side)

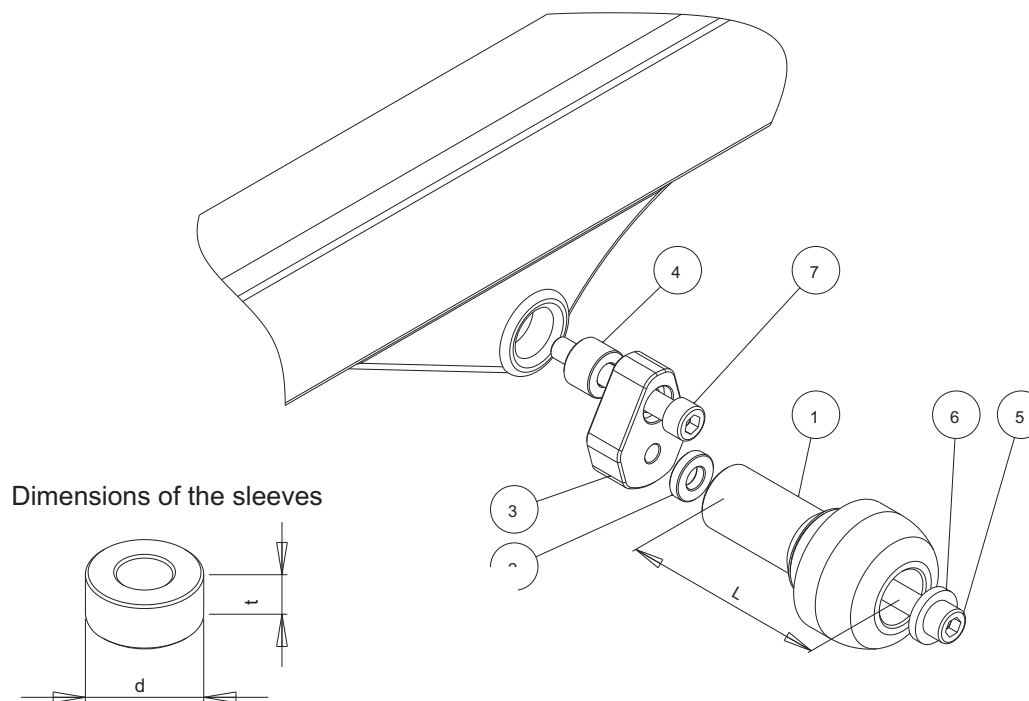
**Assembly instructions**

1. Remove the screws indicated with the arrows.
2. Replace the removed screws with the new screws (part #7), aluminium sleeve (part #4) and metal bars (parts #3) according to the attached drawing. Put the metal bars (parts #3) in the right positions according to the drawing.
3. Assemble the sliders and the screws according to the drawing (parts #1, #2, #5, #6).
4. Assemble the screws #5 and the sliders with the metal bars #3.

We suggest to use the threadlocker to make sure that the screws do not get loose.

This product is entirely produced in the European Union. This product is a professional accessory to be used on the race track. Renner LTD takes no responsibility for any damages occurred despite of using protective accessories. For more information go to [www.renner-moto.com](http://www.renner-moto.com)

**Assembly scheme (both sides)**



NO	PART	LEFT SIDE	RIGHT SIDE
1	Slider	L = 80 mm	L = 80 mm
2	Sleeve	d=20 mm, t=5 mm	d=20 mm, t=5 mm
3	Bar		
4	Sleeve	d=22 mm, t=10 mm	d=22 mm, t=10 mm
5	Screw	M10	M10
6	Washer		
7	Screw	M10, l = 115 mm	M10, l = 95 mm