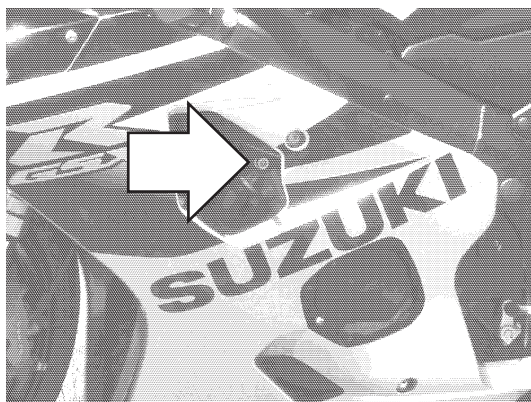
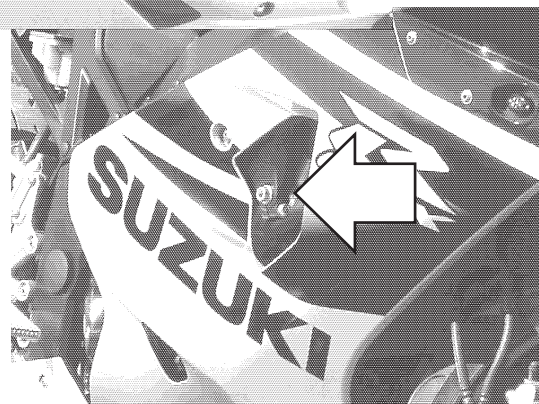


| |
|--|
| Protective sliders SUZUKI GSX - R 600 / 750 |
| Year of production: '04 - '05 Product code: 10313 |

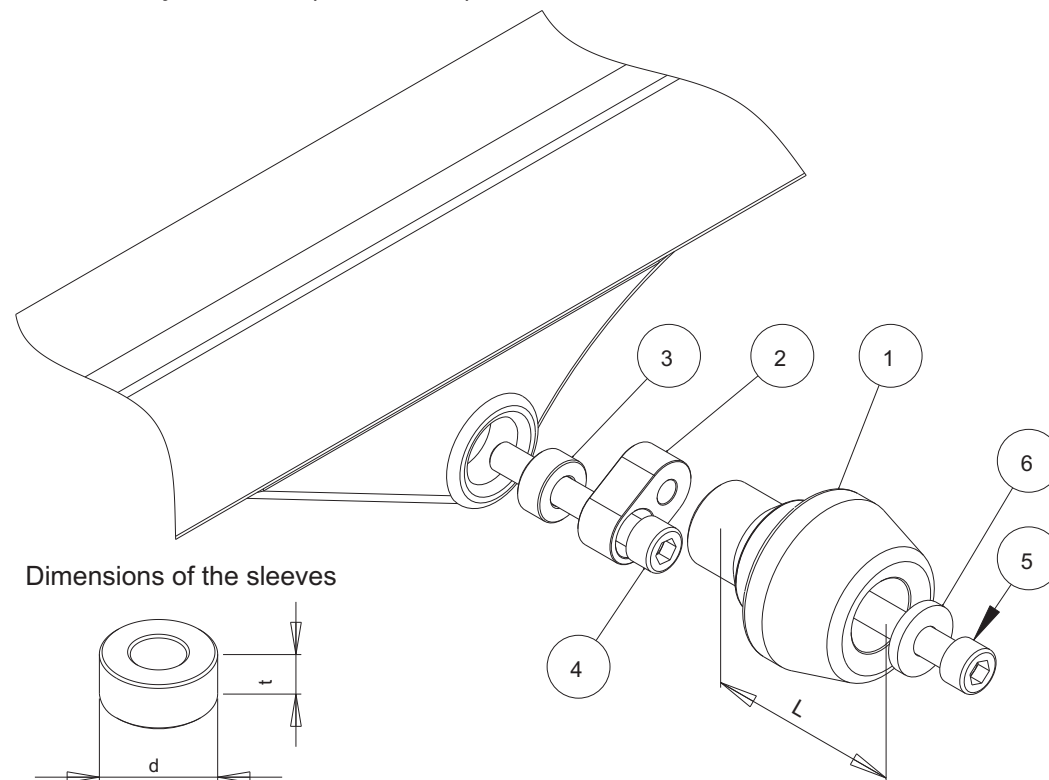
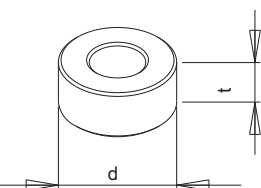

 Assembly position
 (left side)

 Assembly position
 (right side)

Assembly instructions

1. Remove the screws indicated with the arrows.
2. Replace the removed screws with the new screws (part #4), aluminium sleeves (part #3) and metal bars (parts #2) according to the attached drawing. Put the metal bars (parts #2) in the right positions according to the drawing.
3. Assemble the sliders and the screws according to the drawing (parts #1, #5, #6).
4. Assemble the screws #5 and the sliders with the metal bars #2.

We suggest to use the threadlocker to make sure that the screws do not get loose.

This product is entirely produced in the European Union. This product is a professional accessory to be used on the race track. Renner LTD takes no responsibility for any damages occurred despite of using protective accessories. For more information go to www.renner-moto.com

Assembly scheme (both sides)

Dimensions of the sleeves


| NO | PART | LEFT SIDE | RIGHT SIDE |
|----|-----------|------------------|-----------------|
| 1 | Slider | L = 75 mm | L = 70 mm |
| 2 | Steel bar | | |
| 3 | Sleeve | d=22 mm, t=15 mm | d=22 mm, t=5 mm |
| 4 | Screw | M10, l = 70 mm | M10, l = 65 mm |
| 5 | Screw | M10 | M10 |
| 6 | Washer | | |