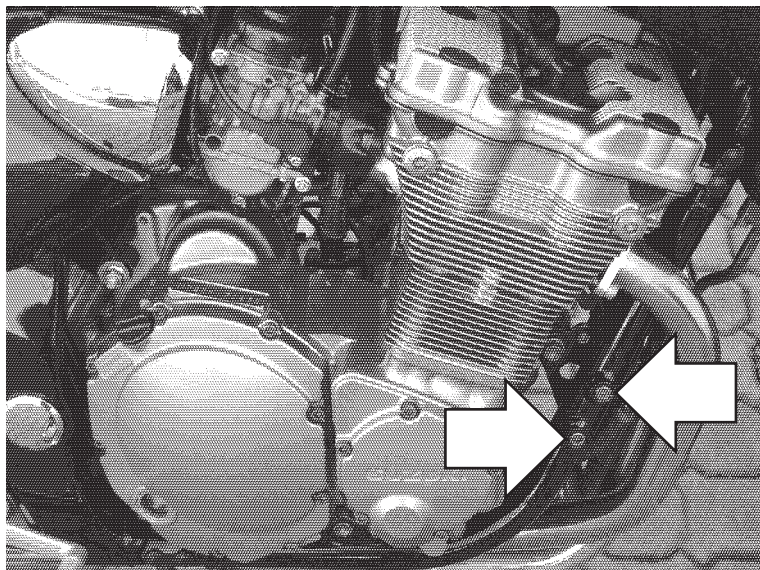
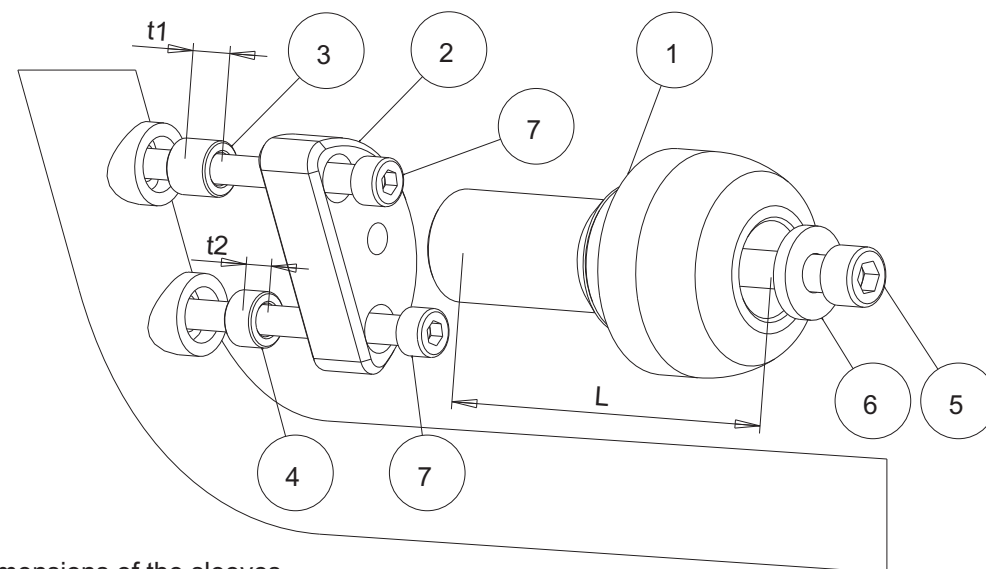
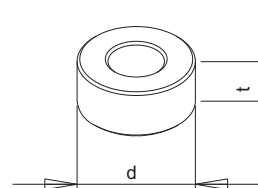


Assembly cheme (both sides)

Protective sliders SUZUKI GSF 600/1200 Bandit
Year of production: - '05 Product code: 10317


 Assembly position
 (both sides)


Dimensions of the sleeves



Assembly instructions

1. Remove the screws indicated with the arrows.
2. Replace the removed screws with the new screws (parts #7), aluminium sleeves (parts #3 and #4) and metal bars (parts #2) according to the attached drawing. Put the metal bars (parts #2) in the right positions according to the drawing.
3. Assemble the sliders and the screws according to the drawing (parts #1, #5, #6).
4. Assemble the screws #5 and the sliders with the metal bars #2.

We suggest to use the threadlocker to make sure that the screws do not get loose.

NO	PART	LEFT SIDE	RIGHT SIDE
1	Slider	L = 115 mm	L =1050 mm
2	Bar		
3	Sleeve	d=14 mm, t=14 mm	d=14 mm, t=14 mm
4	Sleeve	d=14 mm, t=10 mm	d=14 mm, t=10 mm
5	Screw	M10	M10
6	Washer		
7	Screw	M18	M8

This product is entirely produced in the European Union. This product is a professional accessory to be used on the race track. Renner LTD takes no responsibility for any damages occurred despite of using protective accessories. For more information go to www.renner-moto.com