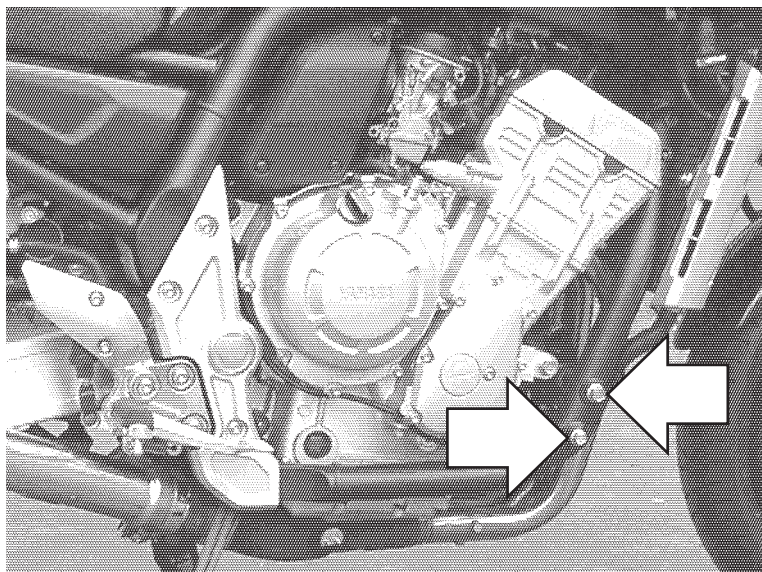


**Zestaw ślizgaczy
YAMAHA FZS 1000 Fazer**

Rok produkcji: '05

Nr zestawu: 10407



Assembly position
(both sides)

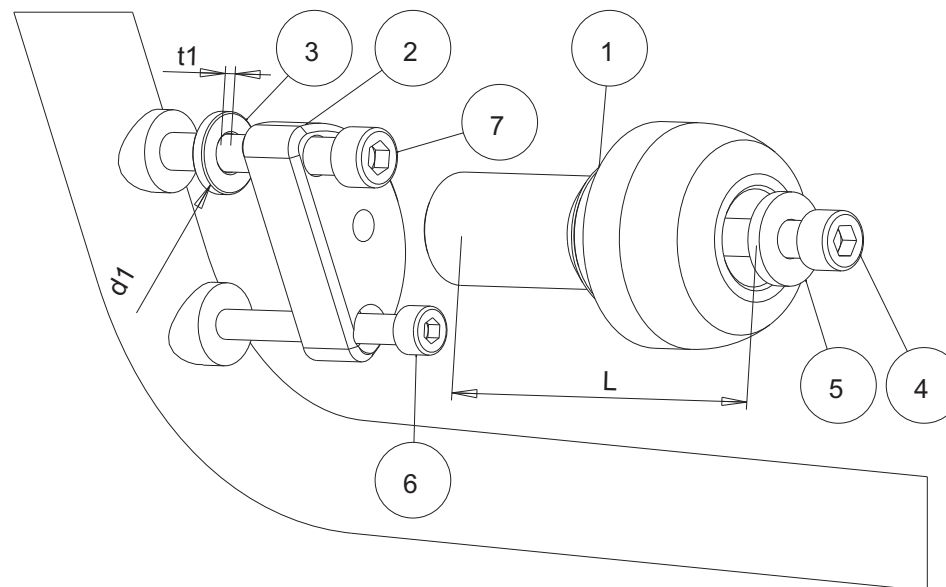
Assembly instructions

1. Remove the screws indicated by the arrows.
2. Replace the removed screws by the new screws (parts #7 and #8), aluminium sleeves (parts #3) and metal bars (parts #2) according to the attached drawing. Put the metal bars (parts #2) in the right positions according to the drawing.
3. Assemble the sliders and the screws according to the drawing (parts #1, #4, #5).
4. Assemble the screws #4 and the sliders with the metal bars #2.

We suggest to use the threadlocker to make sure that the screws do not get loose.

This product is entirely produced in the European Union. This product is a professional accessory to be used on the race track. Renner LTD takes no responsibility for any damages occurred despite of using protective accessories. For more information go to www.renner-moto.com

Assembly scheme (both sides)



LEWA STRONA

NR	ELEMENT	WYMIAR	ILOŚĆ
1	Ślizgacz	L = 80 mm	1
2	Tarcza pośrednia	Ø 70x20	1
3	Tulejka	d1=22 mm, t1=4 mm	1
4	Śruba	M10	1
5	Podkładka	Ø 10	1
6	Śruba mocująca	M8, dł = 120 mm	1
7	Śruba mocująca	M10, dł = 140 mm	1

PRAWA STRONA

NR	ELEMENT	WYMIAR	ILOŚĆ
1	Ślizgacz	L = 80 mm	1
2	Tarcza pośrednia	Ø 70x20	1
3	Tulejka	d1=22 mm, t1=4 mm	1
4	Śruba	M10	1
5	Podkładka	Ø 10	1
6	Śruba mocująca	M8, dł = 120 mm	1
7	Śruba mocująca	M10, dł = 140 mm	1