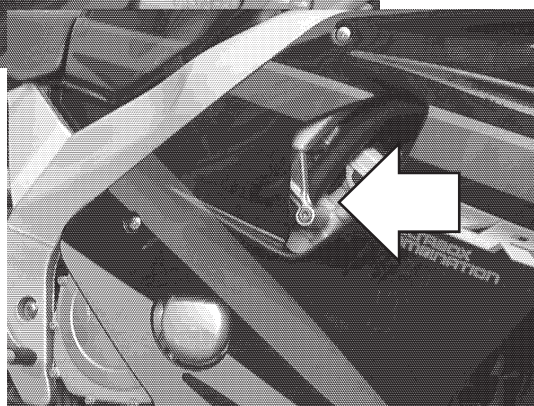


|  |
|--|
| <b>Zestaw ślizgaczy<br/>YAMAHA FZR 600 R</b> |
| Rok produkcji: '94 – '95                     |
| Nr zestawu: 10408                            |


 Assembly position  
 (left side)

 Assembly position  
 (right side)

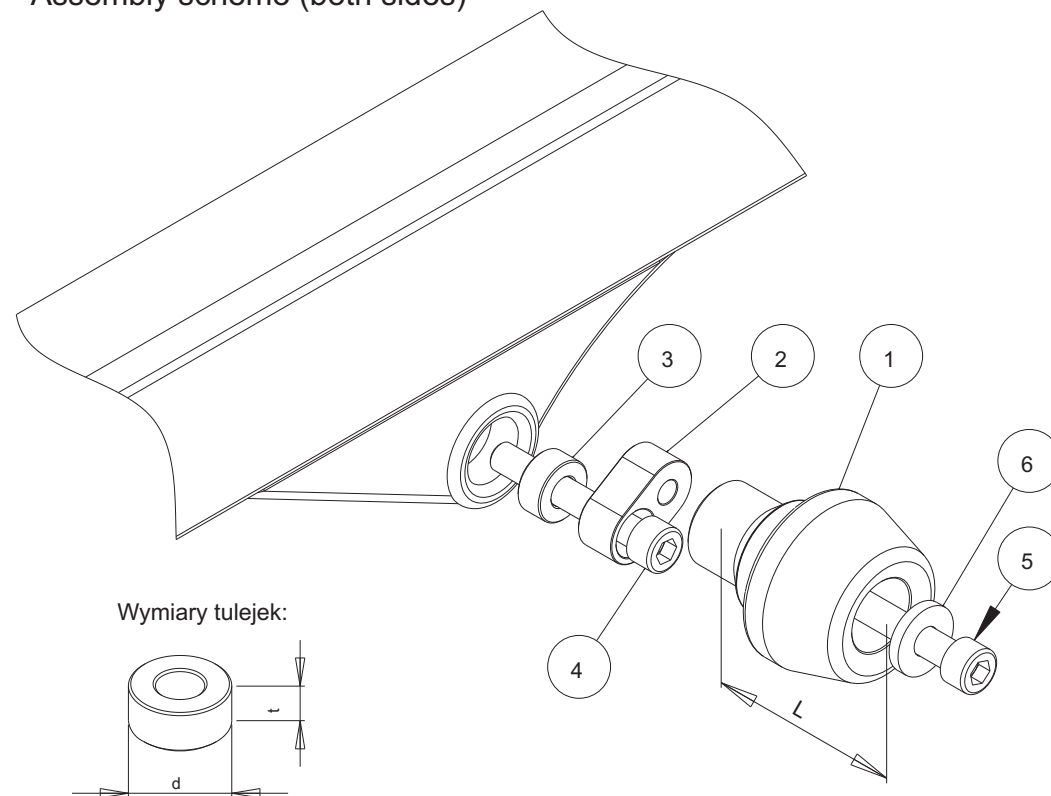
#### Assembly instructions

1. Remove the screws indicated by the arrows.
2. Replace the removed screws by the new screws (part #4), aluminium sleeves (part #3) and metal bars (parts #2) according to the attached drawing. Put the metal bars (parts #2) in the right positions according to the drawing.
3. Assemble the sliders and the screws according to the drawing (parts #1, #5, #6).
4. Assemble the screws #5 and the sliders with the metal bars #2.

We suggest to use the threadlocker to make sure that the screws do not get loose.

This product is entirely produced in the European Union. This product is a professional accessory to be used on the race track. Renner LTD takes no responsibility for any damages occurred despite of using protective accessories. For more information go to [www.renner-moto.com](http://www.renner-moto.com)

#### Assembly scheme (both sides)



| NR | ELEMENT         | LEWA STRONA     | PRAWA           |
|----|-----------------|-----------------|-----------------|
| 1  | Ślizgacz        | L = 75 mm       | L = 60 mm       |
| 2  | Łącznik stalowy |                 |                 |
| 3  | Tulejka         | d =22mm, t=5mm  | d =22mm, t=15mm |
| 4  | Śruba mocująca  | M10, dł = 55 mm | M10, dł = 70 mm |
| 5  | Śruba           | M10             | M10             |
| 6  | Podkładka       |                 |                 |