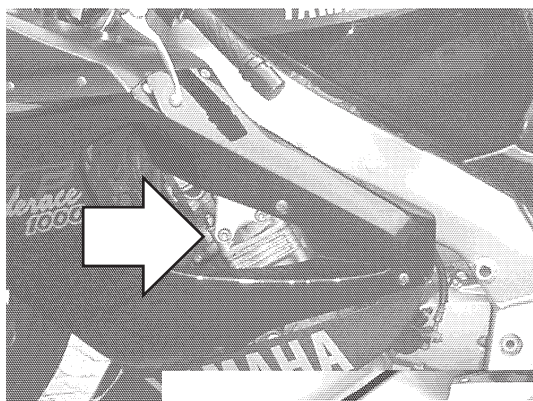
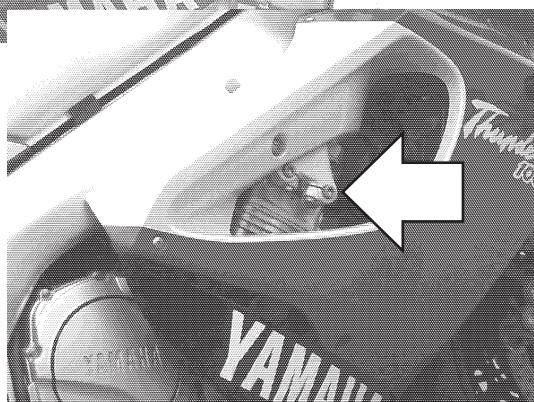


Zestaw ślizgaczy YAMAHA YZF 1000 R Thunderace
Rok produkcji: wszystkie
Nr zestawu: 10412



Assembly position (left side)



Assembly position (right side)

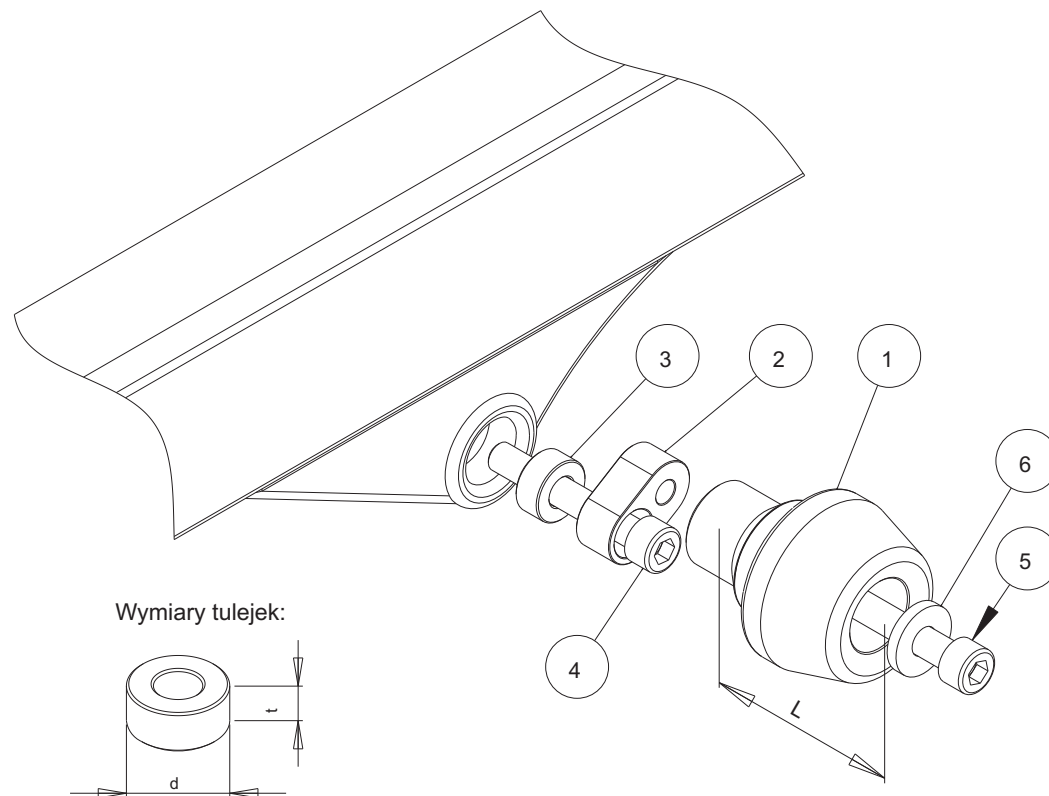
Assembly instructions

1. Remove the screws indicated by the arrows.
2. Replace the removed screws by the new screws (parts #4), aluminium sleeves (parts #3) and metal bars (parts #2) according to the attached drawing. Put the metal bars (parts #2) in the right positions according to the drawing.
3. Assemble the sliders and the screws according to the drawing (parts #1, #5, #6).
4. Assemble the screws #5 and the sliders with the metal bars #2.

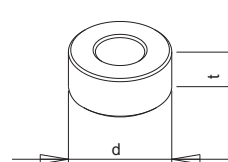
We suggest to use the threadlocker to make sure that the screws do not get loose.

This product is entirely produced in the European Union. This product is a professional accessory to be used on the race track. Renner LTD takes no responsibility for any damages occurred despite of using protective accessories. For more information go to www.renner-moto.com

Assembly scheme (both sides)



Wymiary tulejek:



NR	ELEMENT	LEWA STRONA	PRAWA
1	Ślizgacz	L = 75 mm	L = 80 mm
2	Łącznik stalowy		
3	Tulejka	d = 18mm, t = 10mm	d = 16mm, t = 5mm
4	Śruba mocująca	M10, dł = 55 mm	M10, dł = 55 mm
5	Śruba	M10	M10
6	Podkładka		