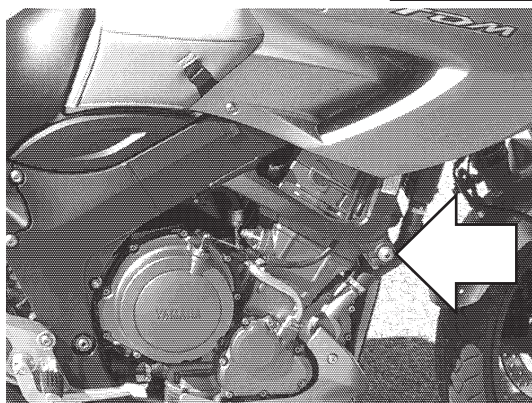
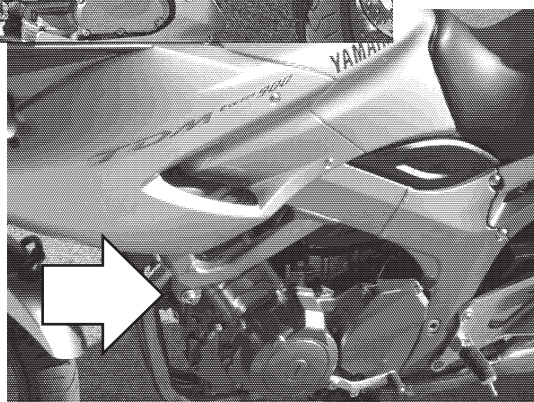


Zestaw ślizgaczy YAMAHA TDM 900
Rok produkcji: wszystkie
Nr zestawu: 10413



Assembly position (left side)

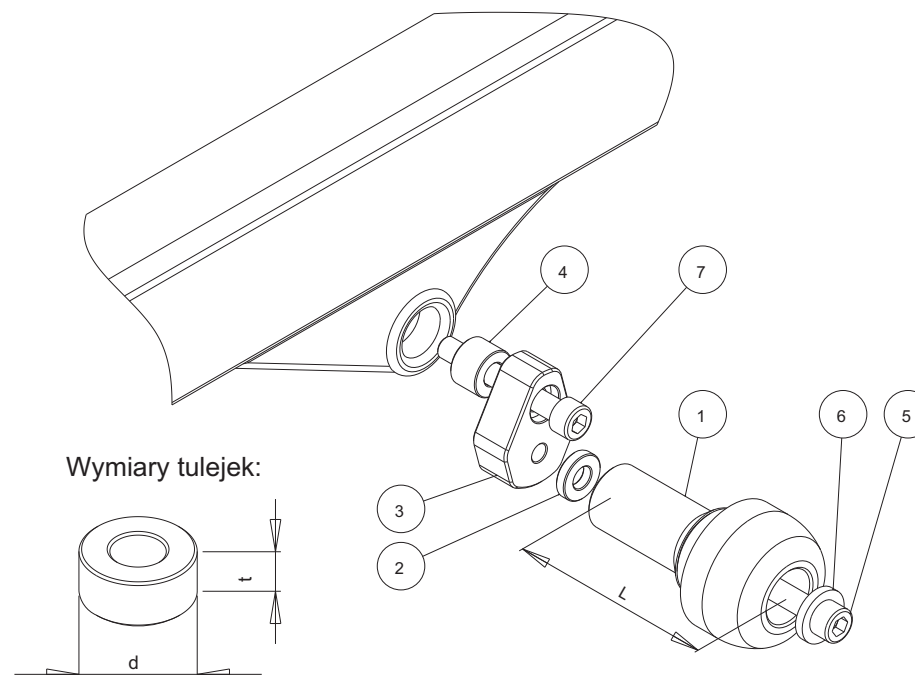

 Assembly position
 (right side)

Assembly instructions

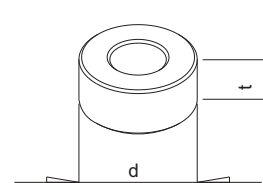
1. Remove the screws indicated by the arrows.
2. Replace the removed screws by the new screws (parts #7), aluminium sleeves (parts #4) and metal bars (parts #3) according to the attached drawing. Put the metal bars (parts #3) in the right positions according to the drawing.
3. Assemble the sliders and the screws according to the drawing (parts #1, #2, #5, #6).
4. Assemble the screws #5 and the sliders with the metal bars #3.

We suggest to use the threadlocker to make sure that the screws do not get loose.

This product is entirely produced in the European Union. This product is a professional accessory to be used on the race track. Renner LTD takes no responsibility for any damages occurred despite of using protective accessories. For more information go to www.renner-moto.com

Assembly scheme (both sides)


Wymiary tulejek:



NR	ELEMENT	LEWA STRONA	PRAWA STRONA
1	Ślizgacz	L = 95 mm	L = 105 mm
2	Tulejka	d=20 mm, t=5 mm	d=20 mm, t=5 mm
3	Tarcza pośrednia		
4	Tulejka	NIE WYSTĘPUJE	NIE WYSTĘPUJE
5	Śruba	M10	M10
6	Podkładka		
7	Śruba mocująca	M12, dł = 80 mm	M12, dł = 80 mm