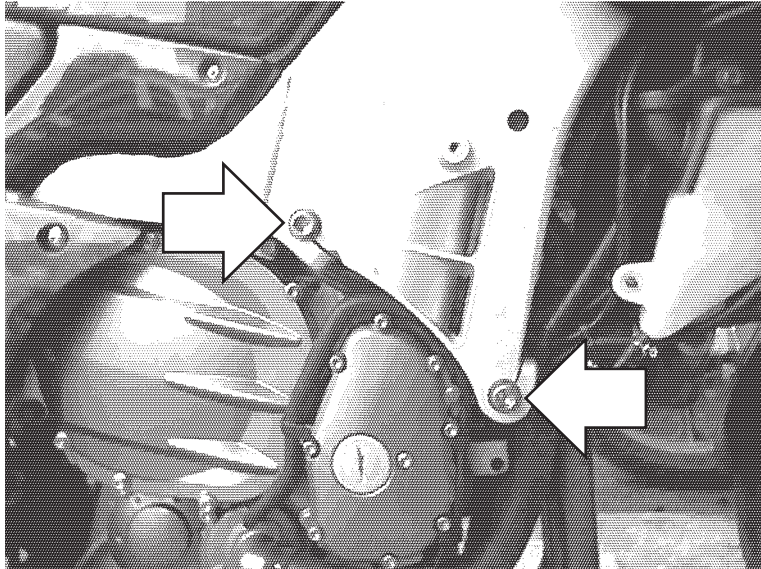
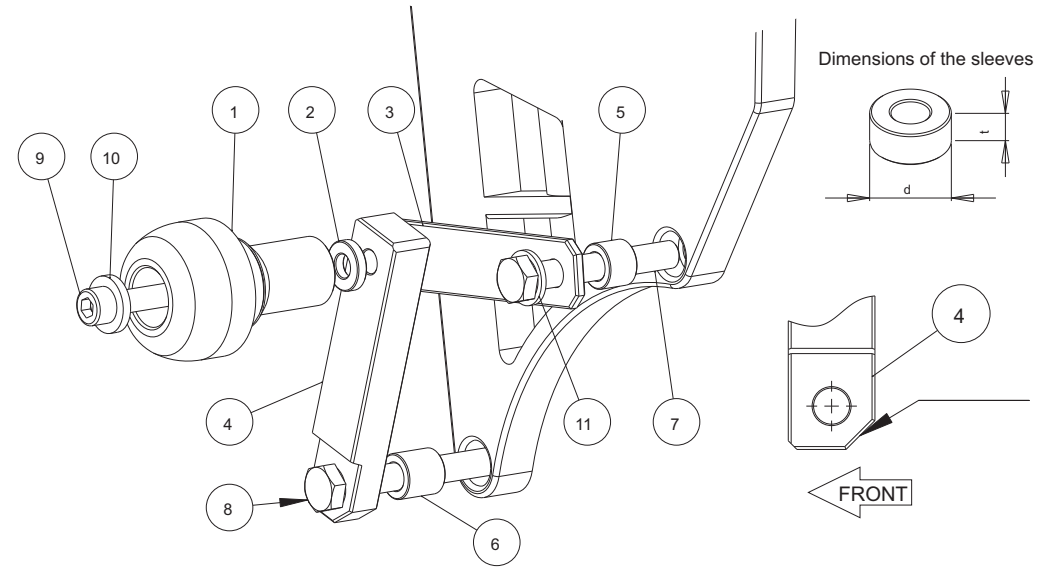


Protective sliders YAMAHA FJR 1300
Year of production: - '05 Product code: 10416



Assembly position
(both sides)

Assembly scheme (both sides)



Assembly instructions

1. Remove the fairings.
2. Remove the screws indicated with the arrows.
3. Replace the removed screws with the new screws (part #7 and #8), aluminium sleeves (parts #5 and #6) and metal bars (parts #3 and #4) according to the attached drawing. Put the metal bars (parts #4) to the right positions according to the drawing.
4. Assemble the fairings.
7. Assemble the sliders, the screws and the washers (parts #1, #2, #9 and #10) according to the drawing. Please put them into the second holes in parts #4.

We suggest to use the threadlocker to make sure that the screws do not get loose.

NO	PART	LEFT SIDE	RIGHT SIDE
1	Slider	L = 90 mm	L = 90 mm
2	Sleeve	d=20 mm, t=5 mm	d=20 mm, t=5 mm
3	Steel bar		
4	Aluminium bar		
5	Sleeve	d=20 mm, t=15 mm	d=20 mm, t=5 mm
6	Sleeve	d=20 mm, t=20 mm	d=20 mm, t=10 mm
7	Screw	M12, l = 80 mm	M12, l = 65 mm
8	Screw	M12, l = 90 mm	M12, l = 80 mm
9	Screw	M10	M10
10	Washer	10	10
11	Washer	12	NOT IH THIS SET

This product is entirely produced in the European Union. This product is a professional accessory to be used on the race track. Renner LTD takes no responsibility for any damages occurred despite of using protective accessories. For more information go to www.renner-moto.com