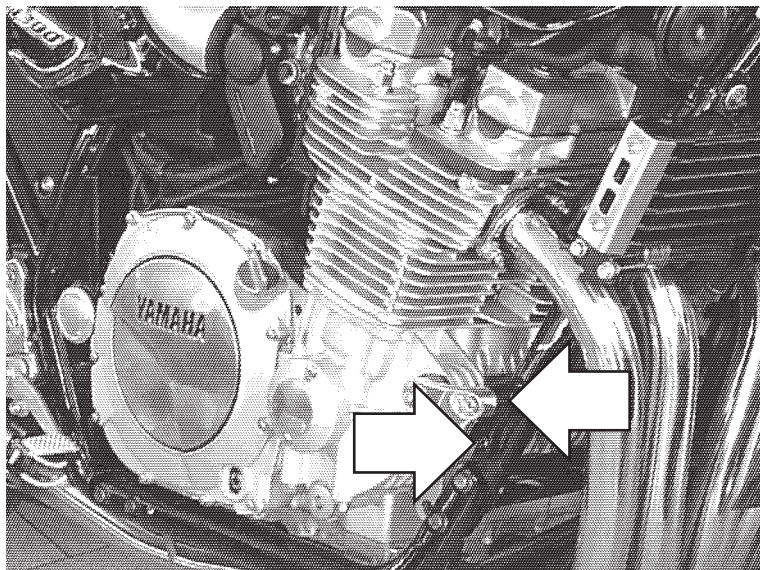


Zestaw ślizgaczy YAMAHA XJR 1300
Rok produkcji: wszystkie
Nr zestawu: 10419



Assembly position
(both sides)

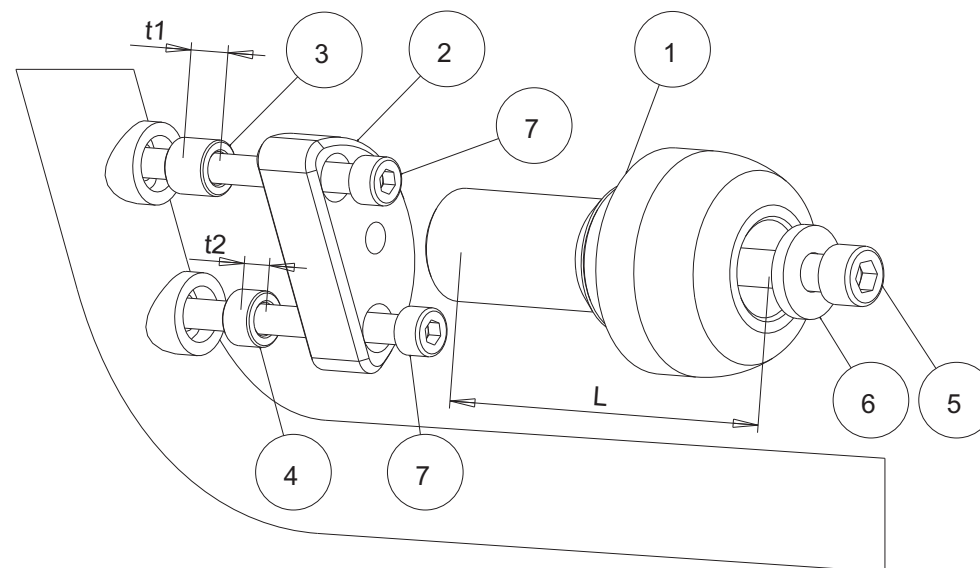
Assembly instructions

1. Remove the screws indicated by the arrows.
2. Replace the removed screws by the new screws (parts #7), aluminium sleeves (parts #3 and #4) and metal bars (parts #2) according to the attached drawing. Put the metal bars (parts #2) in the right positions according to the drawing.
3. Assemble the sliders and the screws according to the drawing (parts #1, #5, #6).
4. Assemble the screws #5 and the sliders with the metal bars #2.

We suggest to use the threadlocker to make sure that the screws do not get loose.

This product is entirely produced in the European Union. This product is a professional accessory to be used on the race track. Renner LTD takes no responsibility for any damages occurred despite of using protective accessories. For more information go to www.renner-moto.com

Assembly scheme (both sides)



NR	ELEMENT	LEWA STRONA	PRAWA
1	Ślizgacz	L = 70 mm	L = 65 mm
2	Tarcza pośrednia		
3	Tulejka		
4	Tulejka		
5	Śruba	M10	M10
6	Podkładka		
7	Śruba mocująca	M8, dł = 60 mm	M8, dł = 60 mm