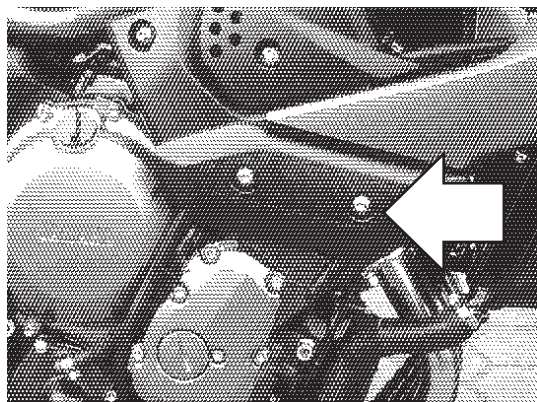
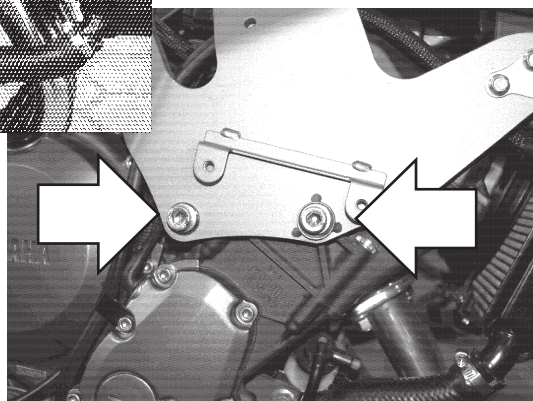


**Protective sliders
YAMAHA XJ 6 / Diversion**

Year of production: ALL
Product code: 10424



Assembly positions.
Left and right sides



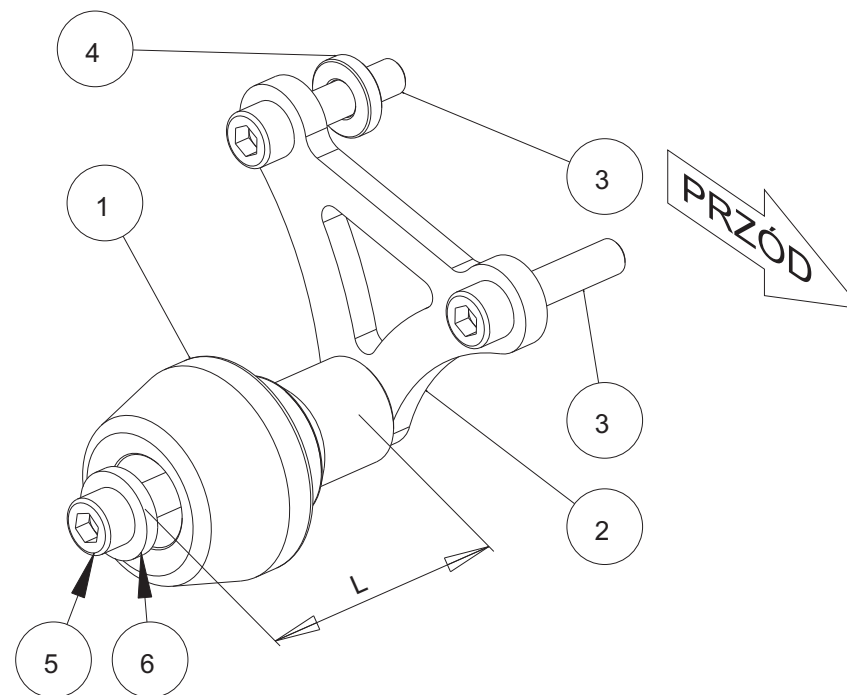
Assembly instructions

1. Remove the fairing indicated on the picture and cut its down edge.
2. Remove the engine screws indicated with the arrows.
2. Replace the removed screws by the new screws (parts #3) and metal bars (parts #2) according to the attached drawing. Put the metal parts (parts #2) in the right positions according to the drawing.
3. Assemble the sliders and the screws according to the drawing (parts #1, #6, #5).
4. Assemble the screws #5 and the sliders with the metal bars #2.

We suggest to use the threadlocker to make sure that the screws do not get loose.

This product is entirely produced in the European Union. This product is a professional accessory to be used on the race track. Renner LTD takes no responsibility for any damages occurred despite of using protective accessories. For more information go to www.renner-moto.com

Assembly scheme (both sides)



No	Part	Left side	Right side
1	Slider	L = 105 mm	L = 80 mm
2	Metal bar	Smaller	Bigger
3	Main screw	M10	M10
4	Sleeve	X	
5	Screw	M10	M10
6	Washer		