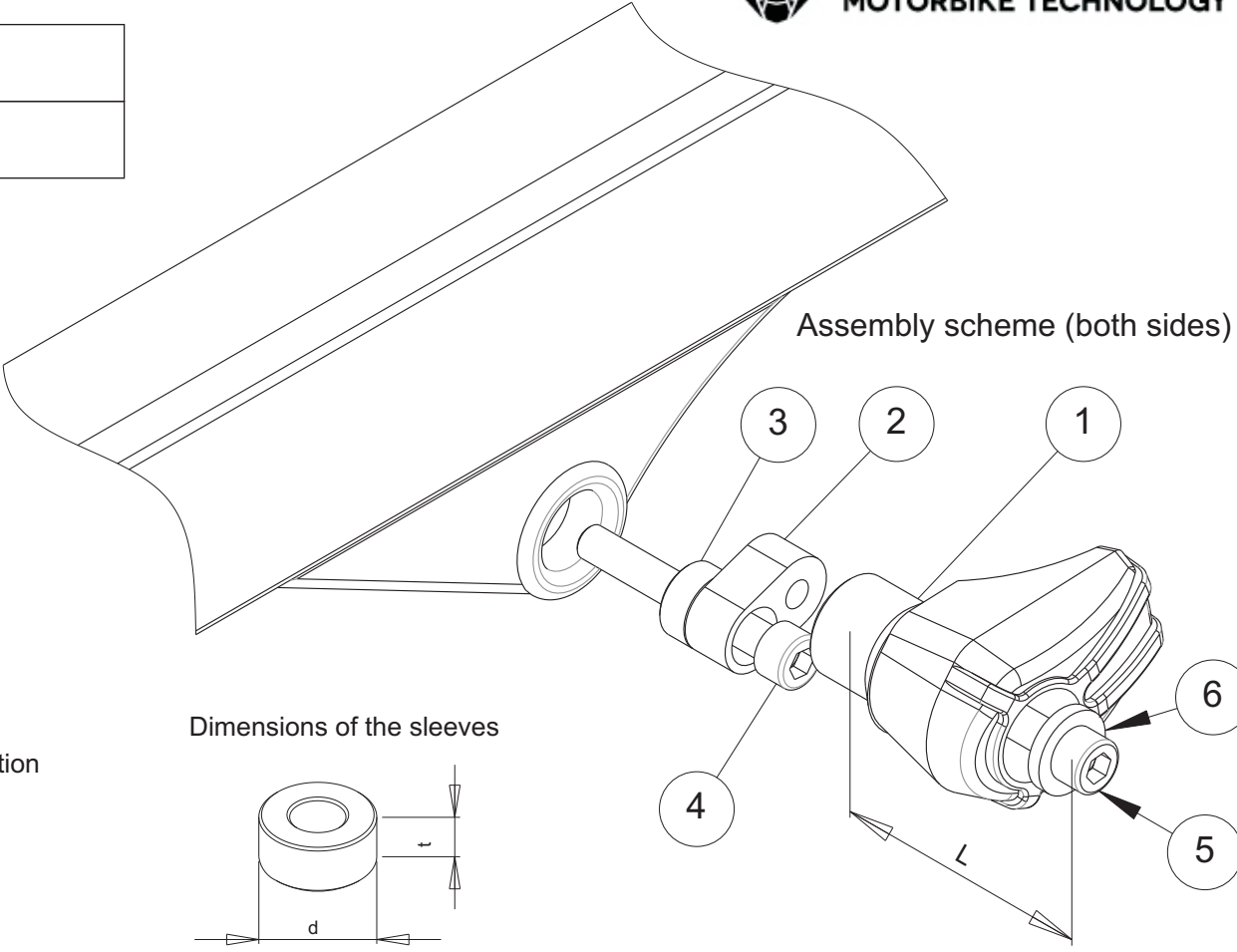


<p><b>Protective sliders</b>  <b>YAMAHA YZF R1</b></p>
<p>Year of production: '15-          Product code: 10433</p>



Assembly position  
(both sides)



**Assembly instructions**

1. Remove the screws indicated with the arrows.
2. Replace the removed screws with the new screws (part #4), aluminium sleeves (part #3) and metal bars (parts #2) according to the attached drawing. Put the metal bars (parts #2) in the right positions according to the drawing.
3. Assemble the sliders and the screws according to the drawing (parts #1, #5, #6).
4. Assemble the screws #5 and the sliders with the metal bars #2.

We suggest to use the threadlocker to make sure that the screws do not get loose.

NO	PART	LEFT SIDE	RIGHT SIDE
1	Slider	L = 65 mm	L = 55 mm
2	Steel bar		
3	Sleeve	d=22 mm, t=10 mm	d=20 mm, t=5 mm
4	Screw	M10, l = 55 mm	M10, l = 55 mm
5	Screw	M10	M10
6	Washer		

This product is entirely produced in the European Union. This product is a professional accessory to be used on the race track. Renner LTD takes no responsibility for any damages occurred despite of using protective accessories. For more information go to [www.renner-moto.com](http://www.renner-moto.com)