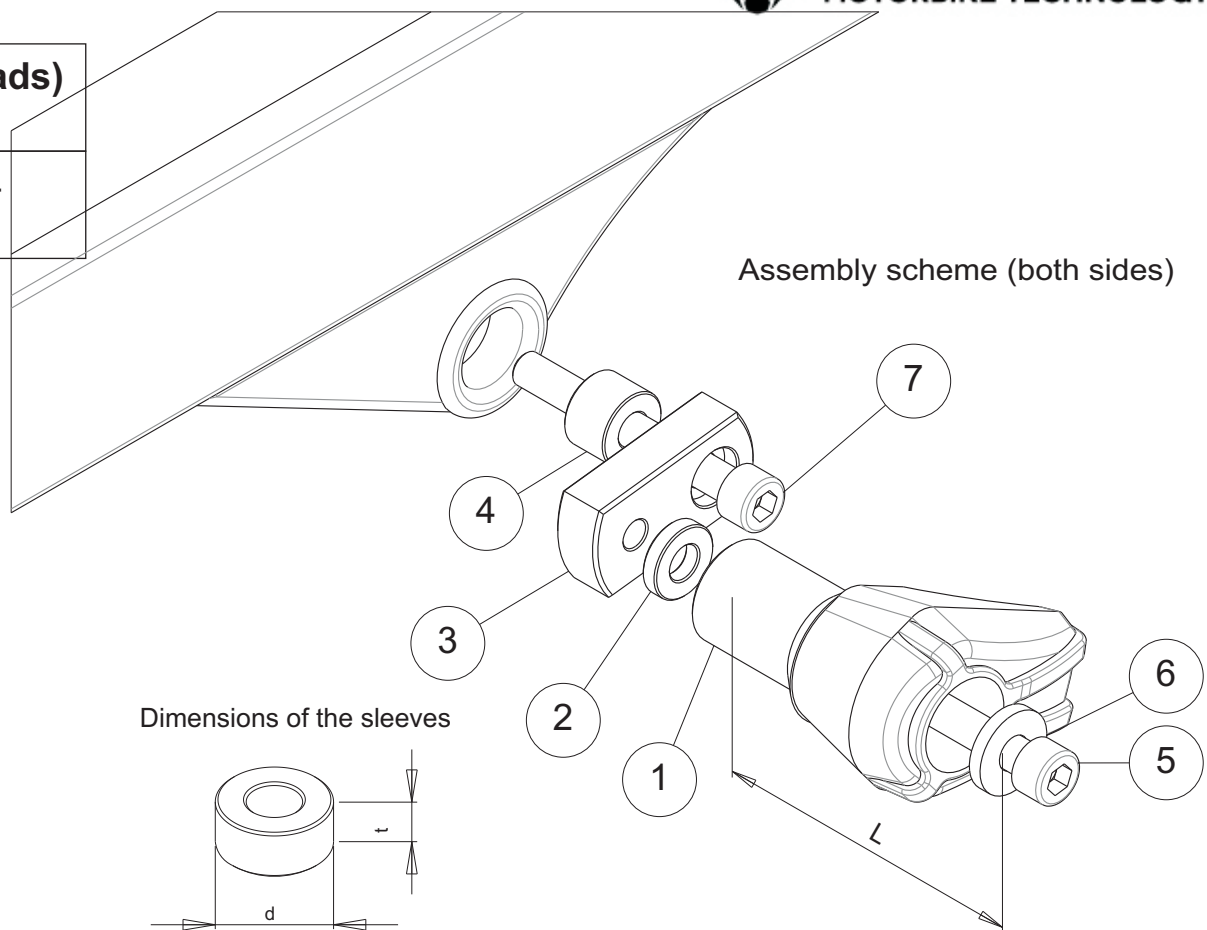


Protective Sliders (Crash Pads)
BMW S 1000 RR

Year of production: '12-'14

Product code: 10506


Assembly instructions

1. Remove the screws indicated with the arrows.
2. Replace the removed screws with the new screws (part #7), aluminium sleeves (part #4) and metal bars (parts #3) according to the attached drawing. Put the metal bars (parts #3) in the right positions according to the drawing.
3. Assemble the sliders and the screws according to the drawing (parts #1, #2, #5, #6).
4. Assemble the screws #5 and the sliders with the metal bars #3.

We suggest to use the threadlocker to make sure that the screws do not get loose.

This product is entirely produced in the European Union. This product is a professional accessory to be used on the race track. Renner LTD takes no responsibility for any damages occurred despite of using protective accessories. For more information go to www.renner-moto.com

No	Part	Left Side	Right Side
1	Slider	L = 65 mm	L = 55 mm
2	Bar		
3	Sleeve		
4	Main Screw	M10, 65 mm	M10, 65 mm
5	Screw	M10	M10
6	Washer		