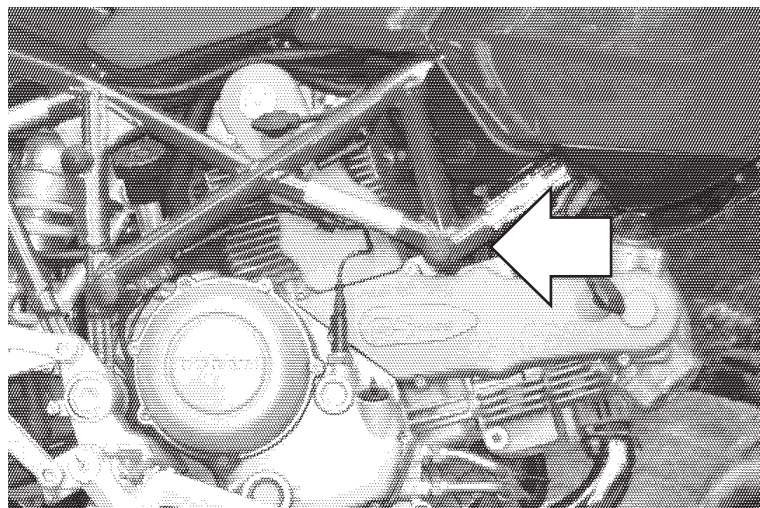
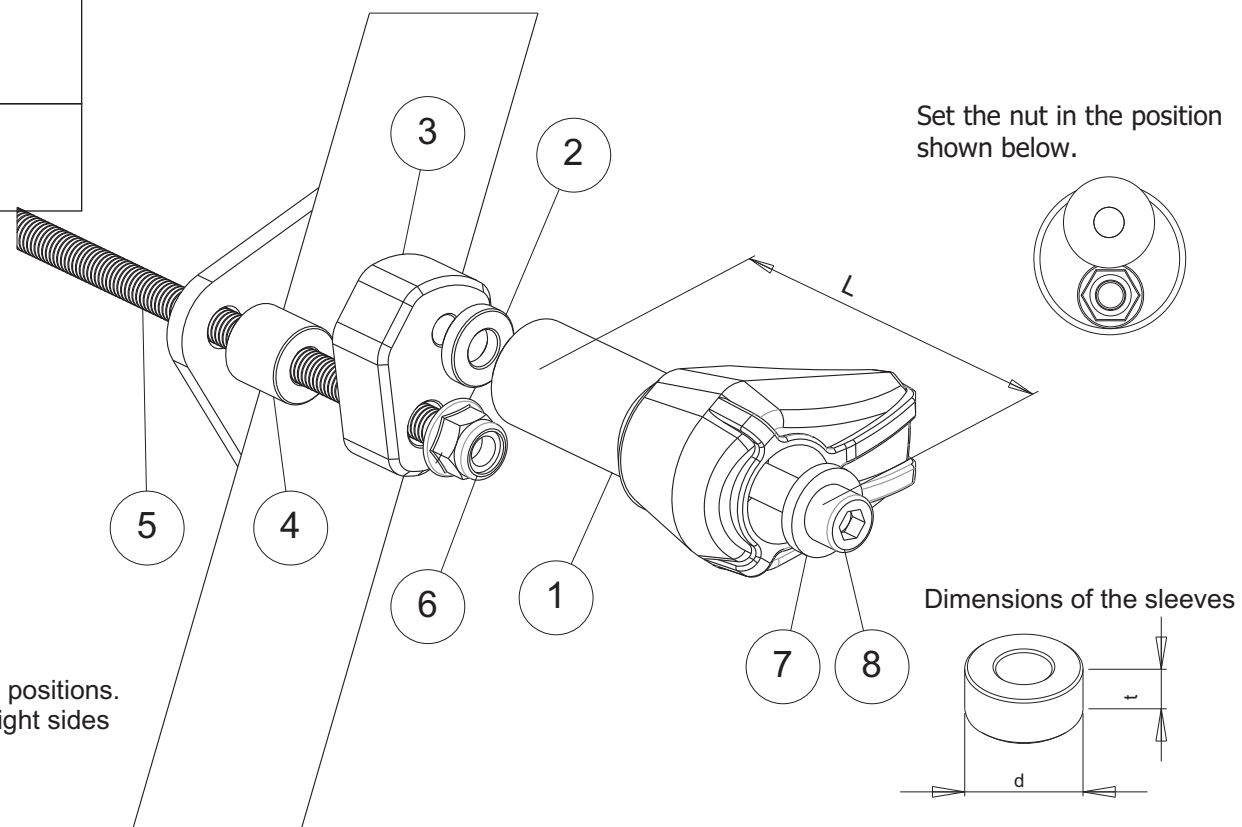


Assembly scheme (both sides)

Protective sliders DUCATI Hypermotaard 821
Year of production: '13- Product code: 10611


 Assembly positions.
 Left and right sides

Assembly instructions

1. Remove the screw indicated with the arrow.
2. Replace the removed screw with the stud (part #7), nuts (part #8), aluminium sleeves (parts #4) and metal bars (parts #3) according to the attached drawing. Put the metal bars (parts #3) in the right positions according to the drawing.
3. Assemble the sliders and the screws according to the drawing (parts #1, #2, #5, #6).
4. Assemble the screws #5 and the sliders with the metal bars #3.

We suggest to use the threadlocker to make sure that the screws do not get loose.

This product is entirely produced in the European Union. This product is a professional accessory to be used on the race track. Renner LTD takes no responsibility for any damages occurred despite of using protective accessories. For more information go to www.renner-moto.com

No	Part	Left Side	Right Side
1	Slider	L = 90 mm	L = 90 mm
2	Sleeve	d=20 mm, t=5 mm	d=20 mm, t=5 mm
3	Metal Bar		
4	Sleeve	d=22 mm, t=50 mm	d=22 mm, t=50 mm
5	Screw	M10	M10
6	Washer		
7	Main screw	M12	-
8	Nut	M12	M12