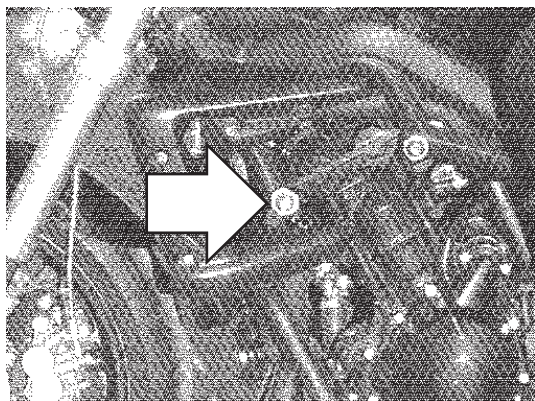
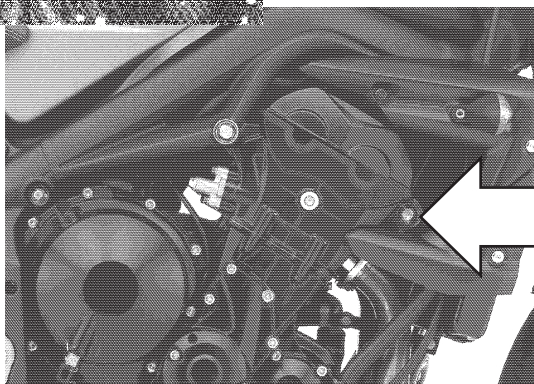


Protective sliders
TRIUMPH Daytona 675

Year of production: all
Product code: 10701



Assembly position (left side)



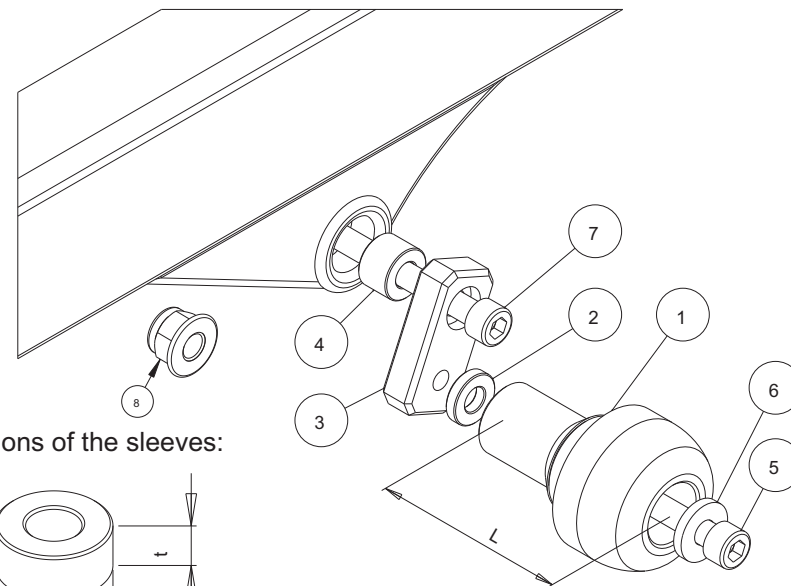
Assembly position (right side)

Assembly instructions

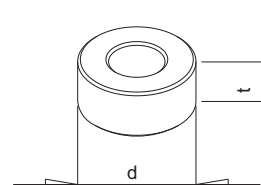
1. Remove the screw indicated with the arrow.
2. Replace the removed screw with the new screws (part #7), nuts (part #8), aluminium sleeves (parts #4) and metal bars (parts #3) according to the attached drawing. Put the metal bars (parts #3) in the right positions according to the drawing.
3. Assemble the sliders and the screws according to the drawing (parts #1, #2, #5, #6).
4. Assemble the screws #5 and the sliders with the metal bars #3.

We suggest to use the threadlocker to make sure that the screws do not get loose.

This product is entirely produced in the European Union. This product is a professional accessory to be used on the race track. Renner LTD takes no responsibility for any damages occurred despite of using protective accessories. For more information go to www.renner-moto.com



Dimensions of the sleeves:



NO	PART	LEFT SIDE	RIGHT SIDE
1	Slider	L = 105 mm	L = 85 mm
2	Sleeve	d = 20mm, t = 5mm	d = 20mm, t = 5mm
3	Bar	shorter	longer
4	Sleeve	d = 22 mm, t = 20 mm	d = 22 mm, t = 20 mm
5	Screw	M10	M10
6	Washer		
7	Stud	M10	M10
8	Nut	M10	M10