

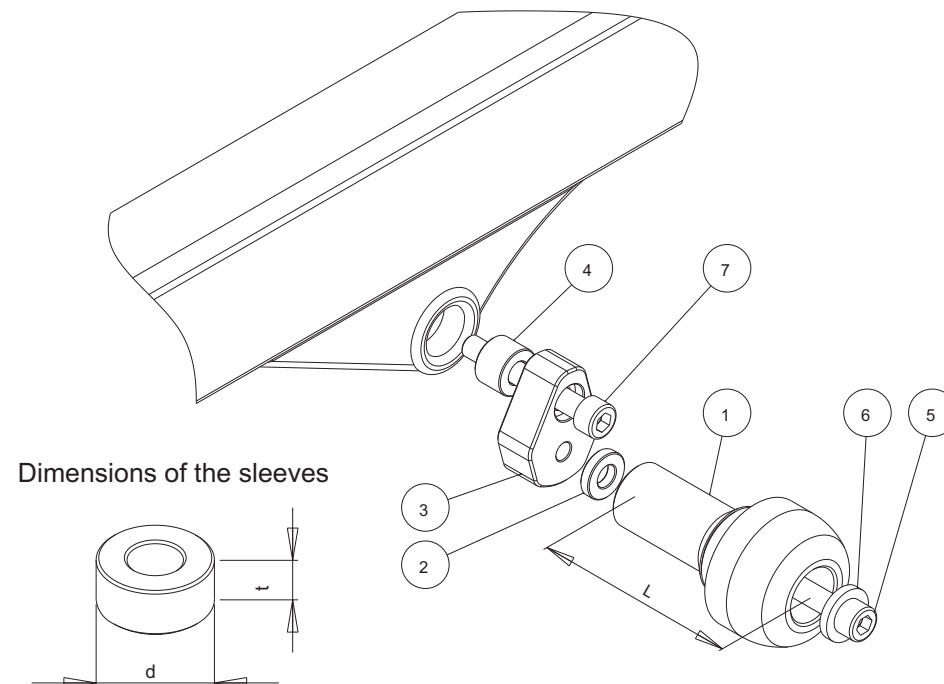
**Protective sliders
 TRIUMPH Sprint ST 1050**

Year of production: '05-
 Product code: 10704

Assembly scheme (both sides)



Assembly positions.
 Left and right sides



Assembly instructions

1. Remove the screws indicated with the arrows.
2. Replace the removed screws by the new screws (parts #7) and metal bars (parts #3) according to the attached drawing. Put the metal parts (parts #3) in the right positions according to the drawing.
3. Assemble the sliders and the screws according to the drawing (parts #1, #2, #6, #5).
4. Assemble the screws #5 and the sliders with the metal bars #3.

We suggest to use the threadlocker to make sure that the screws do not get loose.

No	Part	Left Side	Right Side
1	Slider	L = 105 mm	L = 105 mm
2	Sleeve	d=20 mm, t=5 mm	d=20 mm, t=5 mm
3	Metal bar		
4	Sleeve	d=30 mm, t=25 mm	D=30 mm, t=25mm
5	Screw	M10	M10
6	Washer		
7	Main Screw	M12	M12

This product is entirely produced in the European Union. This product is a professional accessory to be used on the race track. Renner LTD takes no responsibility for any damages occurred despite of using protective accessories. For more information go to www.renner-moto.com